



*PORTE AUTOMATICHE PER ASCENSORI
AUTOMATISCHE AUFZUGSTÜREN
PORTES AUTOMATIQUES POUR ASCENSEURS
PUERTAS AUTOMÁTICAS PARA ASCENSORES
AUTOMATIC DOORS FOR LIFTS*

**PARTI DI RICAMBIO
ERSATZTEILE
PIECES DE RECHANGE
PIEZAS DE REPUESTO
SPARE PARTS**

**SINUS DOS
(02)**

**PORTE CABINA
KABINENTÜREN
PORTE DE CABINE
PUERTAS CABINA
CAR DOORS**

PRISMA S.r.l.

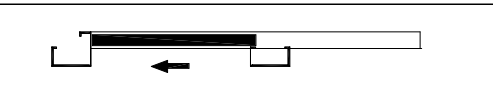

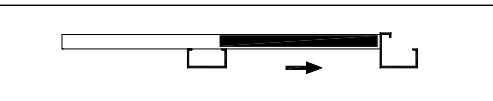
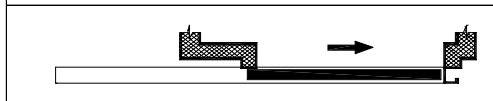
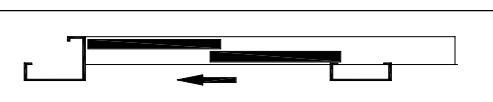
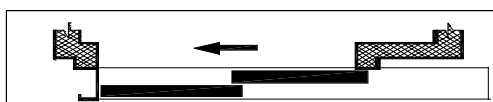

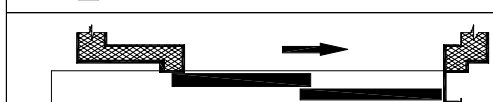

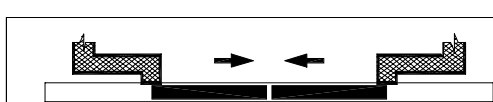
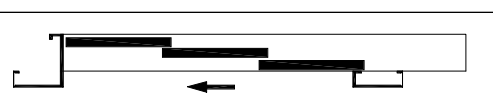



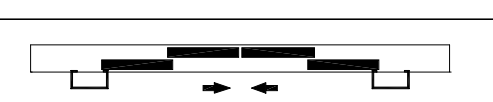
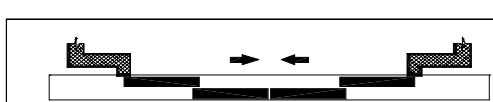
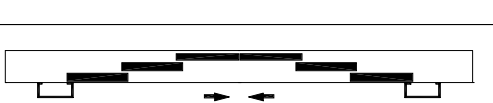
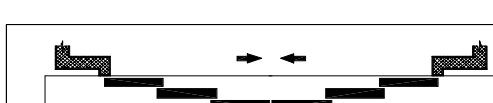
Quartiere Artigianale I-43055 Casale di Mezzani (Pr) Italy
Tel. +39 0521 3164.11 Fax +39 0521 3164.333
e-mail: sales@prismaitaly.it - www.prismaitaly.it

Production Unit:

1) Pessano con Bornago (Mi) Italy - 2) Casale di Mezzani (Pr) Italy

Codice/Code D-0000-RS

**NOMENCLATURA
KENNZEICHNUNGSSCHLÜSSEL VON AUFZUGSTÜREN
NOMENCLATURE**

TYP TYPE TIPO TYPE	SCHACHTTÜR PALIER PISO LANDING	KABINENTÜR CABINE CABINA CAR	TYP TYPE TIPO TYPE
TIPO	PIANO	CABINA	TIPO
L1S/L			C1S/L
L1S/R			C1S/R
L2S/L			C2S/L
L2S/R			C2S/R
L2C			C2C
L3S/L			C3S/L
L3S/R			C3S/R
L4C			C4C
L6C			C6C

ATTENZIONE: SENSO DI CHIUSURA VISTO DAL PIANO

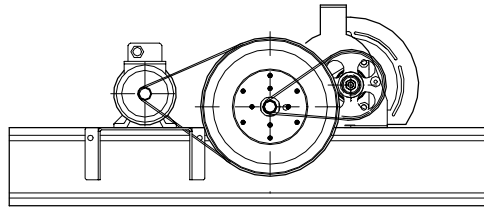
ACHTUNG: SCHLIESSRICHTUNG VOM SCHACHTZUGANG GESEHEN

ATTENTION: SENS DE FERMETURE VU DU PALIER

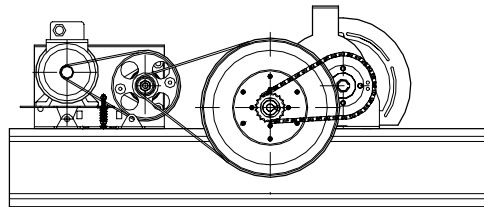
ATENCIÓN: SENTIDO DE CIERRE VISTO DESDE EL PIANO

BE CAREFUL: SLAM SIDE ALWAYS VIEWED FROM LANDING

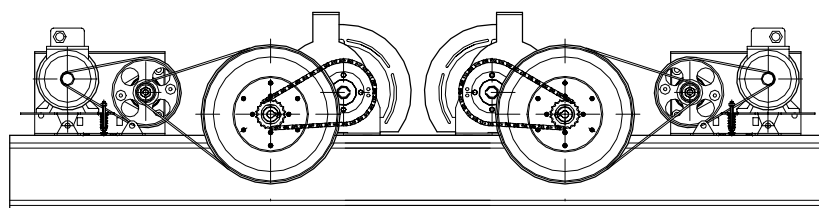
- C2S/... A = < 950**
- C2C A = < 950**
- C3S /... A = < 950**
- C4C A = < 1450**
- C6C A = < 1450**

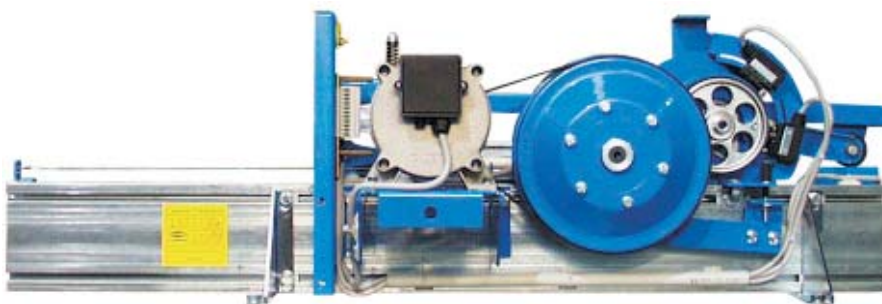
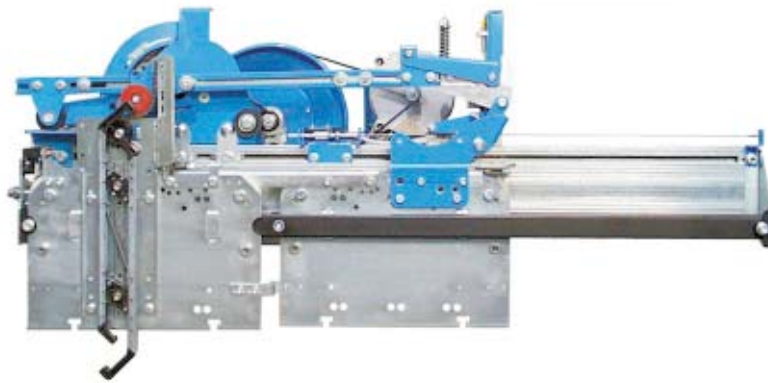
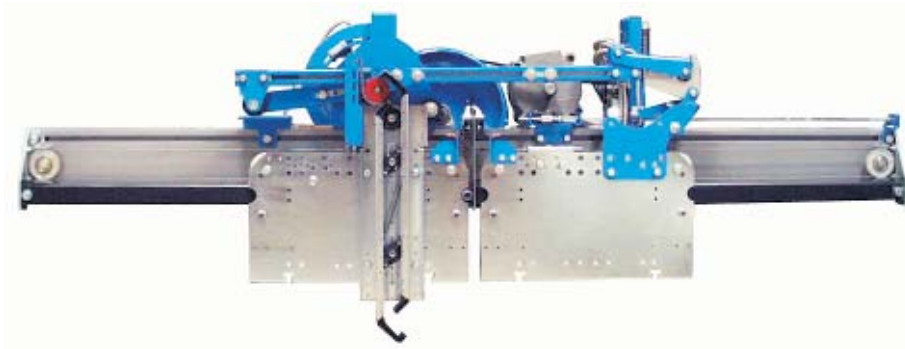


- C2S/... A = > 1000**
- C2C A = > 1000**
- C3S/... A = > 1000**
- C4C A = > 1500÷2000**
- C6C A = > 1500÷2000**

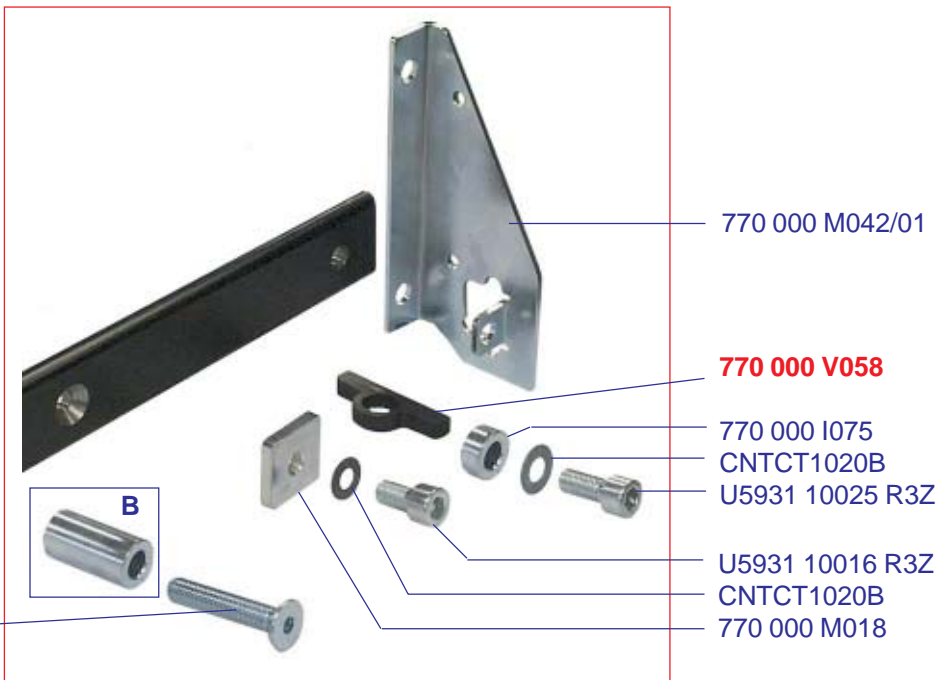
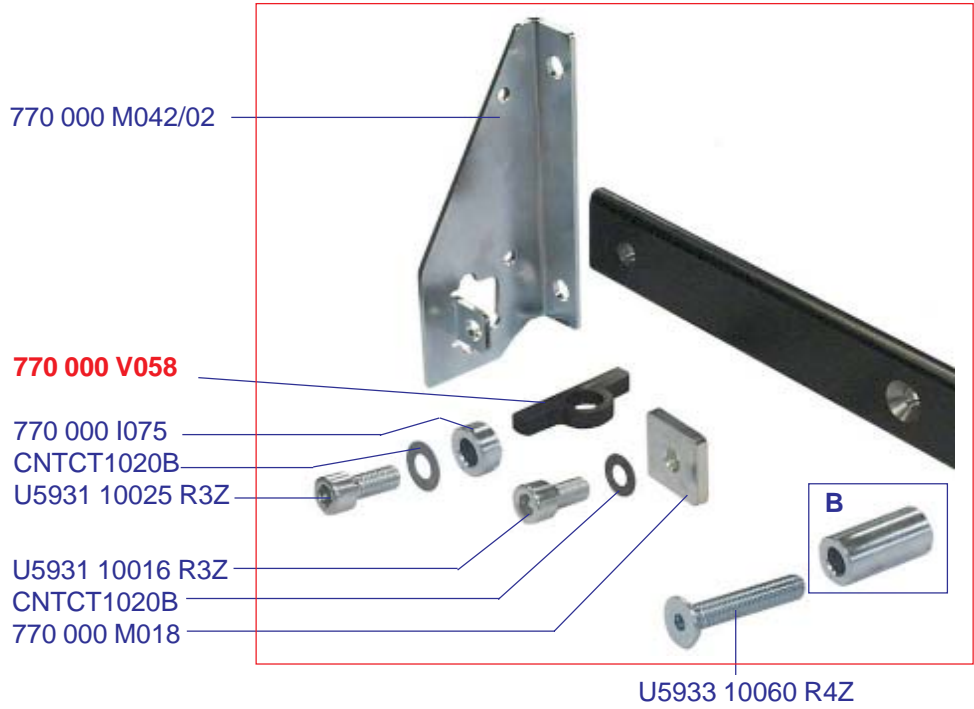


- C4C A = > 2100**
- C6C A = > 2100**

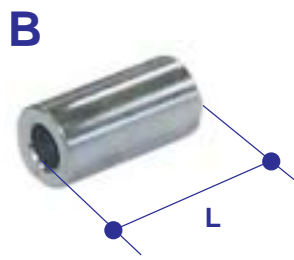




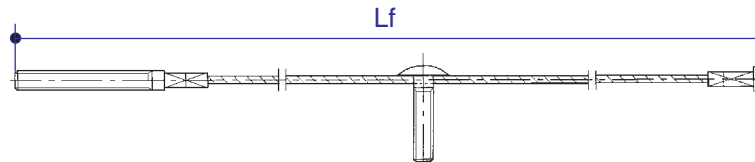
Queste sono le foto di assieme esistenti.



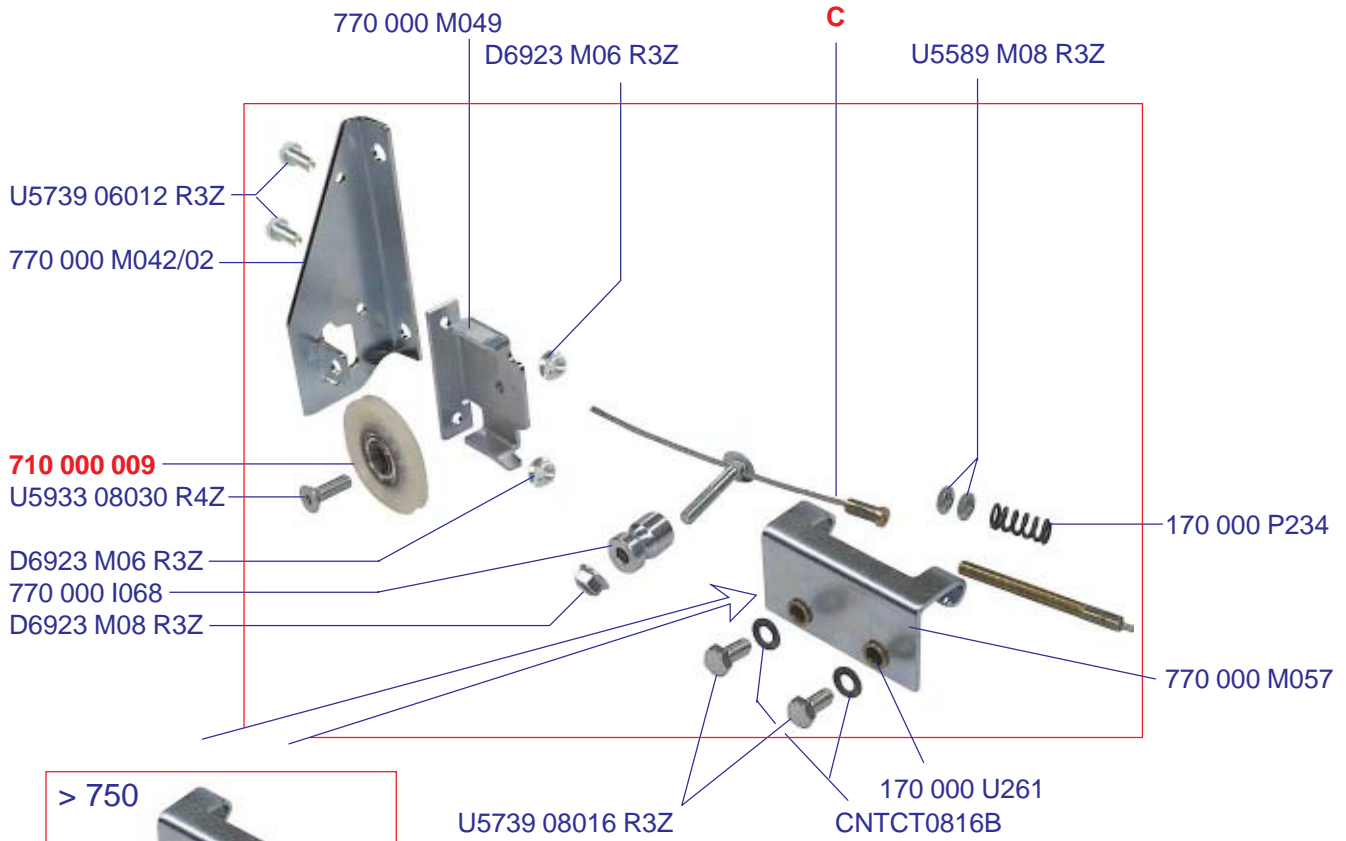
Code	L (mm)
770 000 I100/01	
770 000 I100/02	
770 000 I100/03	
770 000 I100/04	
770 000 I100/05	39.5
770 000 I100/06	
770 000 I100/07	
770 000 I100/08	
770 000 I100/09	
770 000 I100/10	
770 000 I100/11	



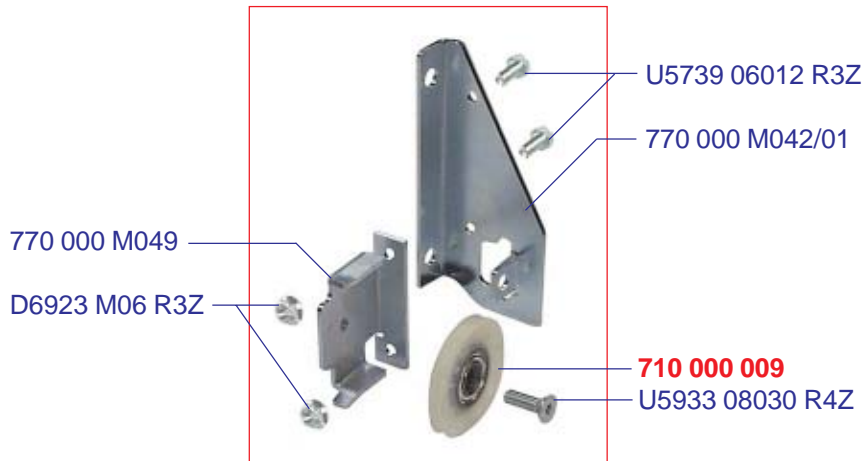
C



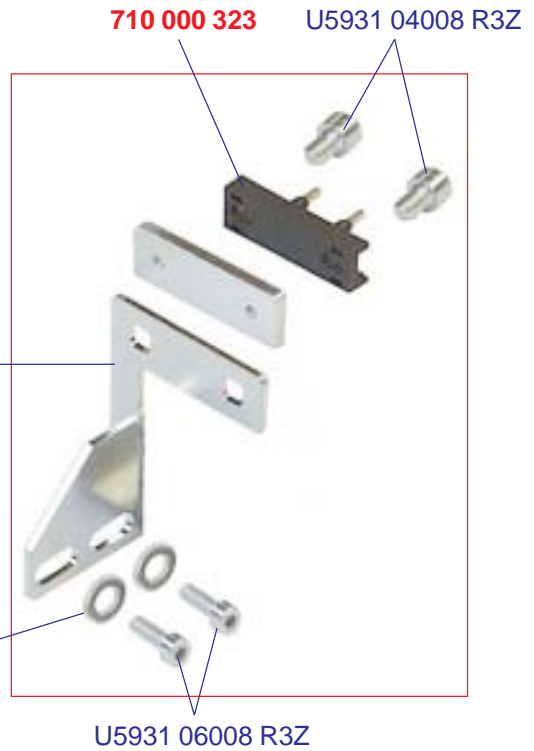
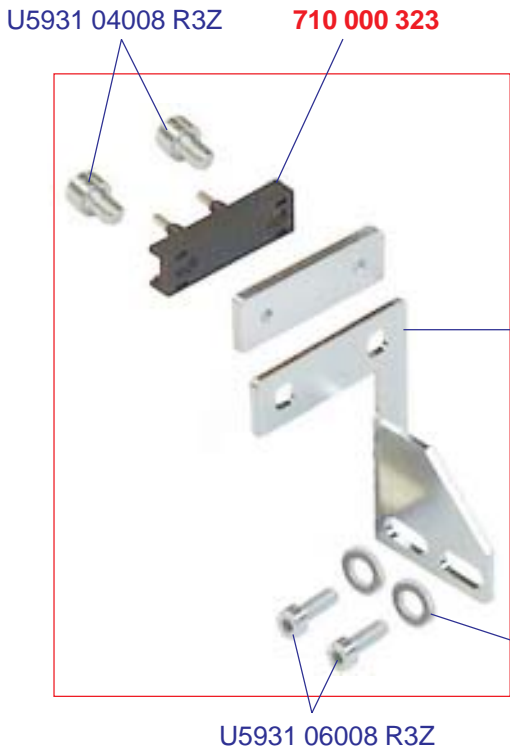
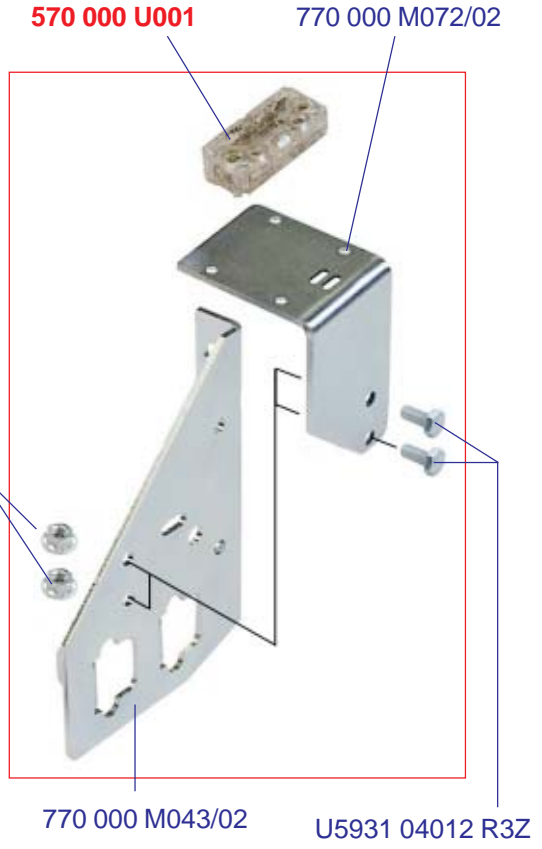
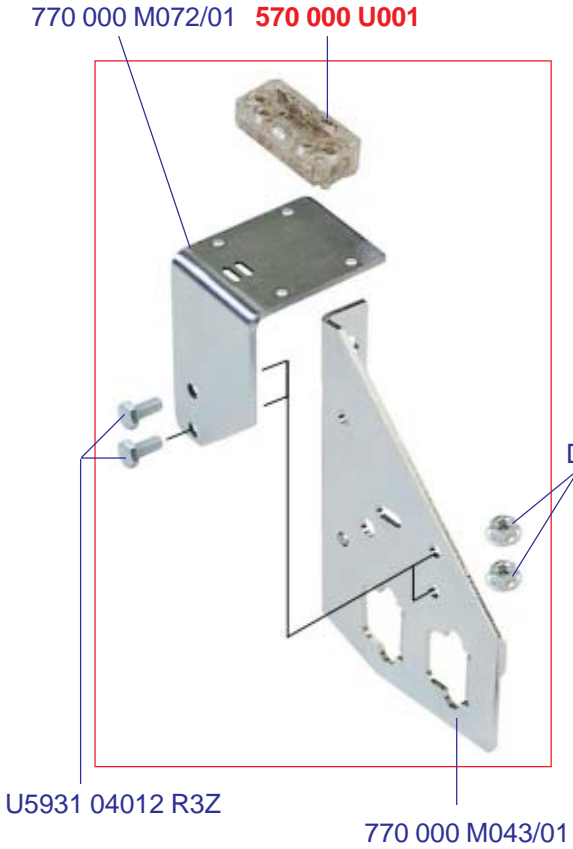
Code	Con extracorsa	Senza extracorsa	Lf (mm)
730 000 W061/01	720 (mm)		2889
730 000 W061/02	770		2989
730 000 W061/03	820		3289
730 000 W061/04	870		3389
730 000 W061/05	920		3689
730 000 W061/06	970		3789
730 000 W061/07	1020		4089
730 000 W061/08	1070		4189
730 000 W061/09	1120		4489
730 000 W061/10	1170		4589
730 000 W061/11	1220		4889
730 000 W061/12	1270		4989
730 000 W061/13	1320		5289
730 000 W061/14	1370		5389
730 000 W061/15	1420		5689
730 000 W061/16	1470		5789
730 000 W061/17	1520		6089
730 000 W061/18	1620		6489
730 000 W061/19	1720		6889
730 000 W061/20	1820		7289
730 000 W061/21	1920		7689
730 000 W061/22	2020		8089
730 000 W061/23			
730 000 W061/24			
730 000 W061/25			
730 000 W061/26			
730 000 W061/51		700	2849
730 000 W061/52		750	2949
730 000 W061/53		800	3249
730 000 W061/54		850	3349
730 000 W061/55		900	3649
730 000 W061/56		950	3749
730 000 W061/57		1000	4049
730 000 W061/58		1050	4149
730 000 W061/59		1100	4449
730 000 W061/60		1150	4549
730 000 W061/61		1200	4849
730 000 W061/62		1250	4949
730 000 W061/63		1300	5249
730 000 W061/64		1350	5349
730 000 W061/65		1400	5649
730 000 W061/66		1450	5749
730 000 W061/67		1500	6049
730 000 W061/68		1600	6449
730 000 W061/69		1700	6849
730 000 W061/70		1800	7249
730 000 W061/71		1900	7649
730 000 W061/72		2000	8049
730 000 W061/73			
730 000 W061/74			
730 000 W061/75			
730 000 W061/76			

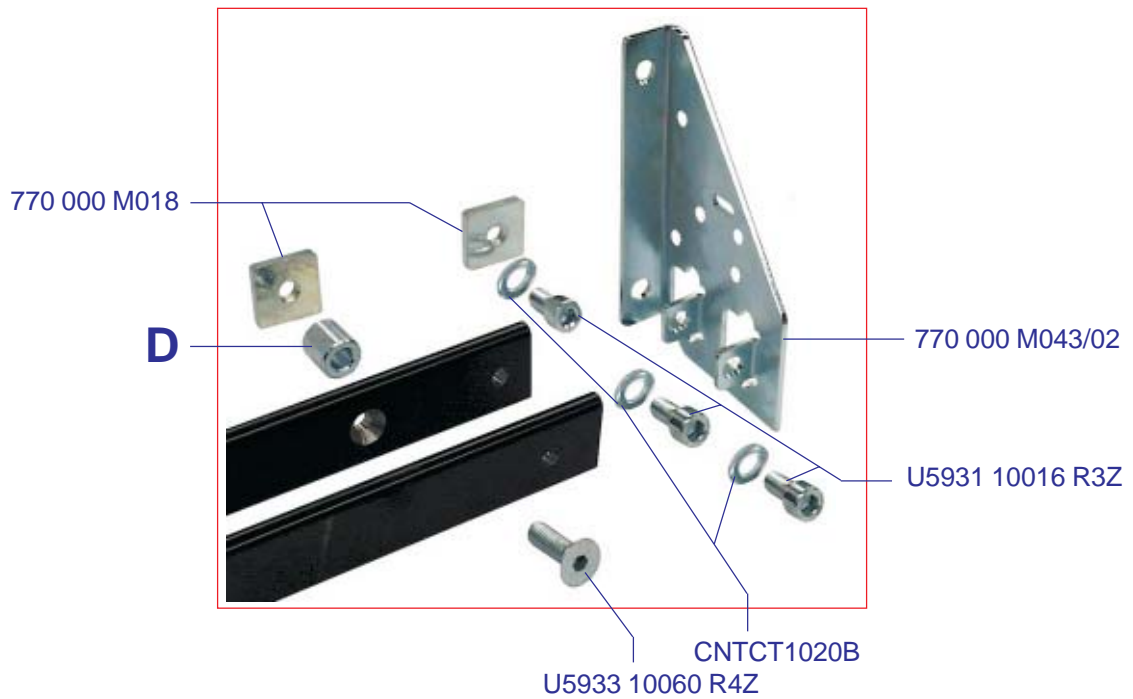
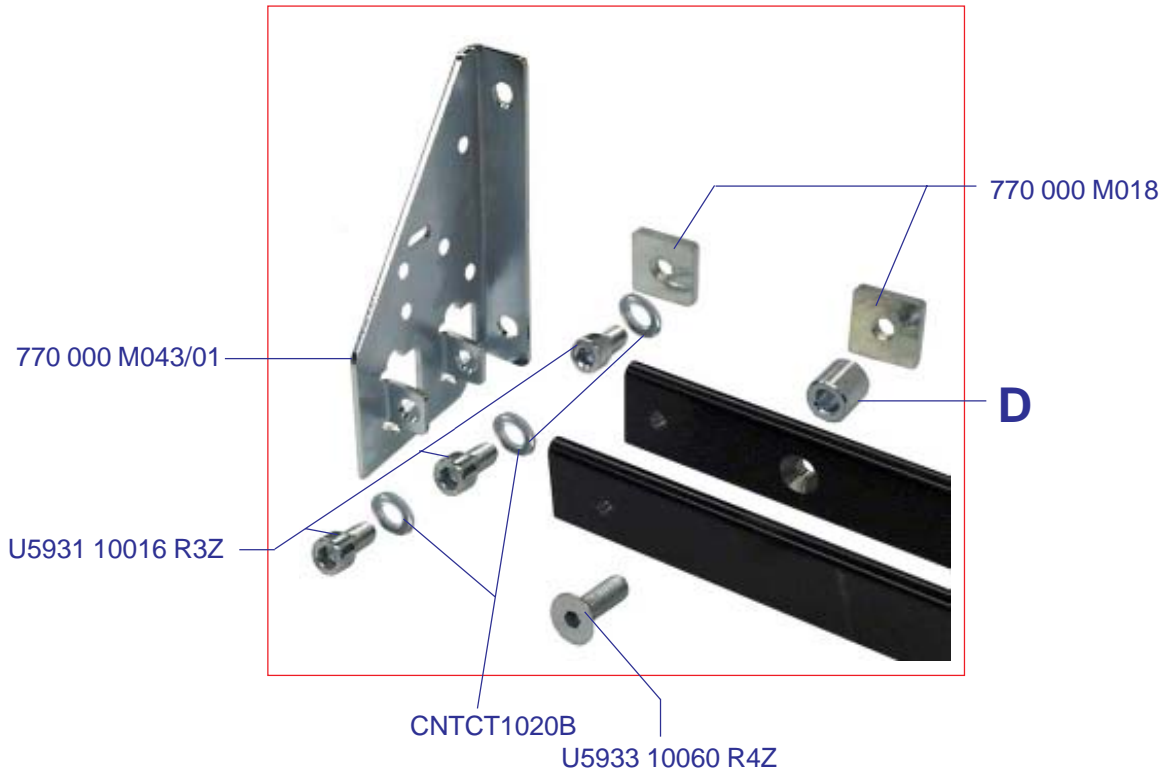


U5931 08020 R3Z
 SCHNR 0813B

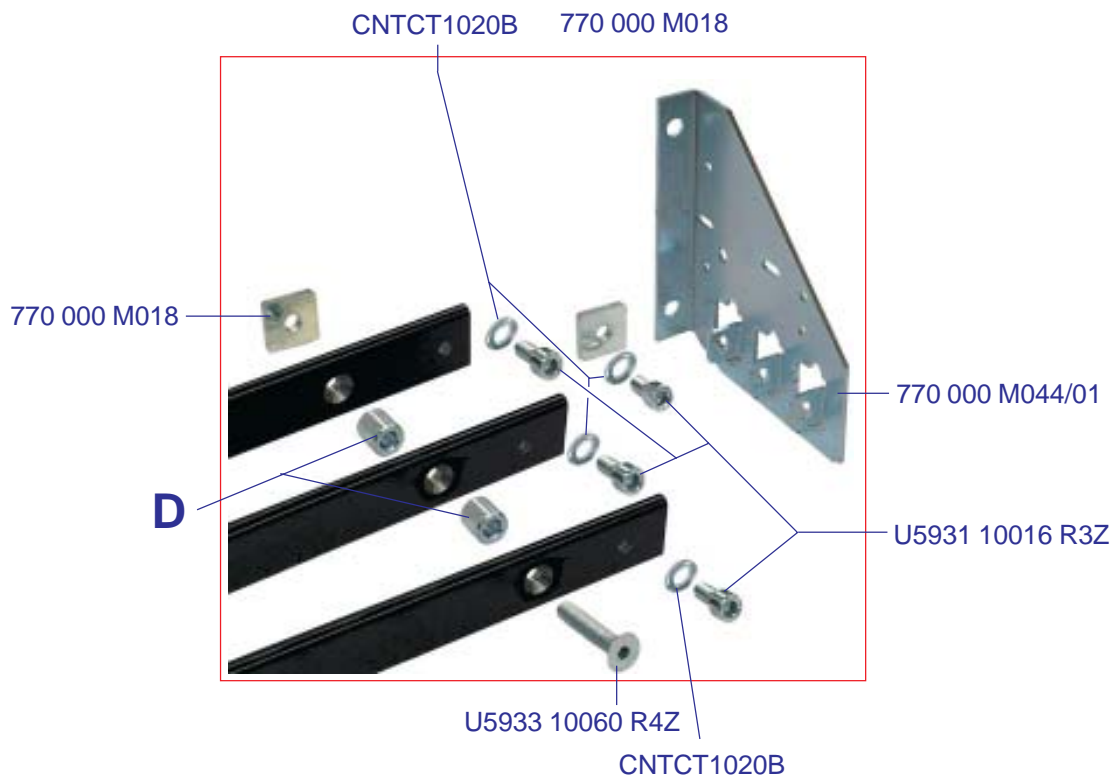
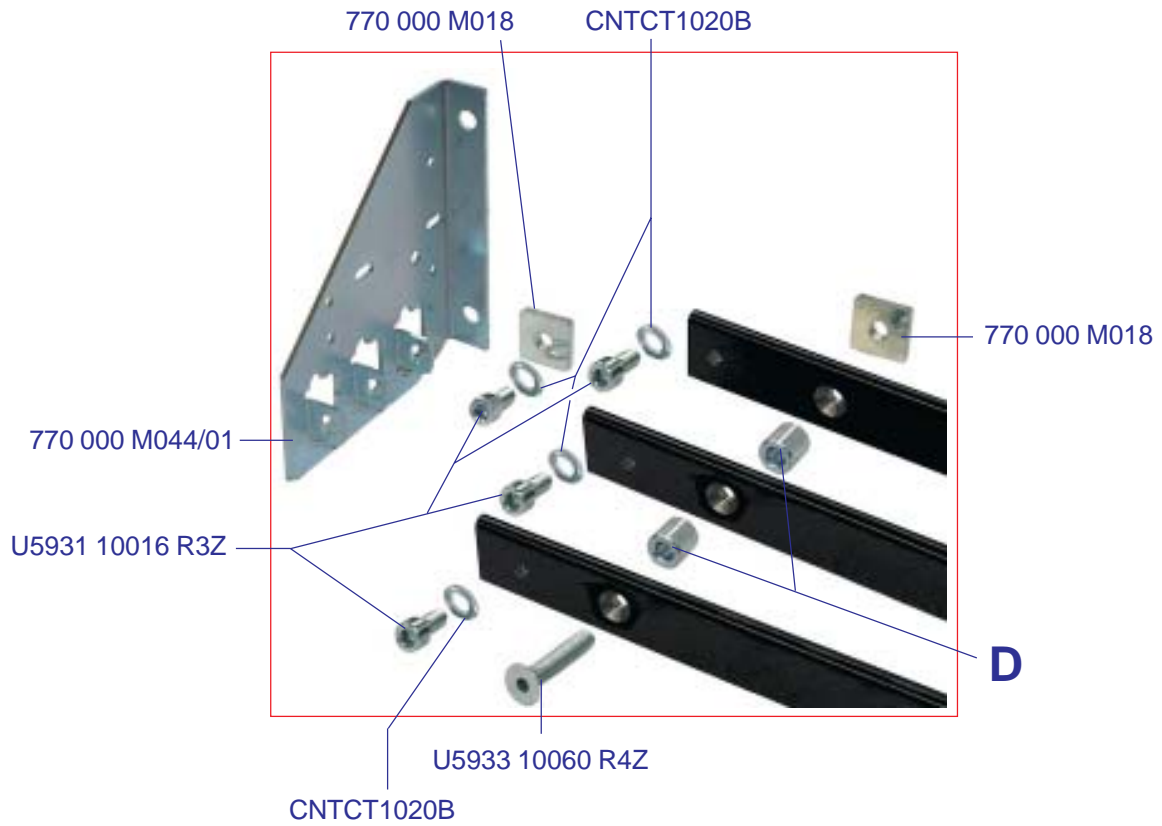


manca foto 170 000 U001

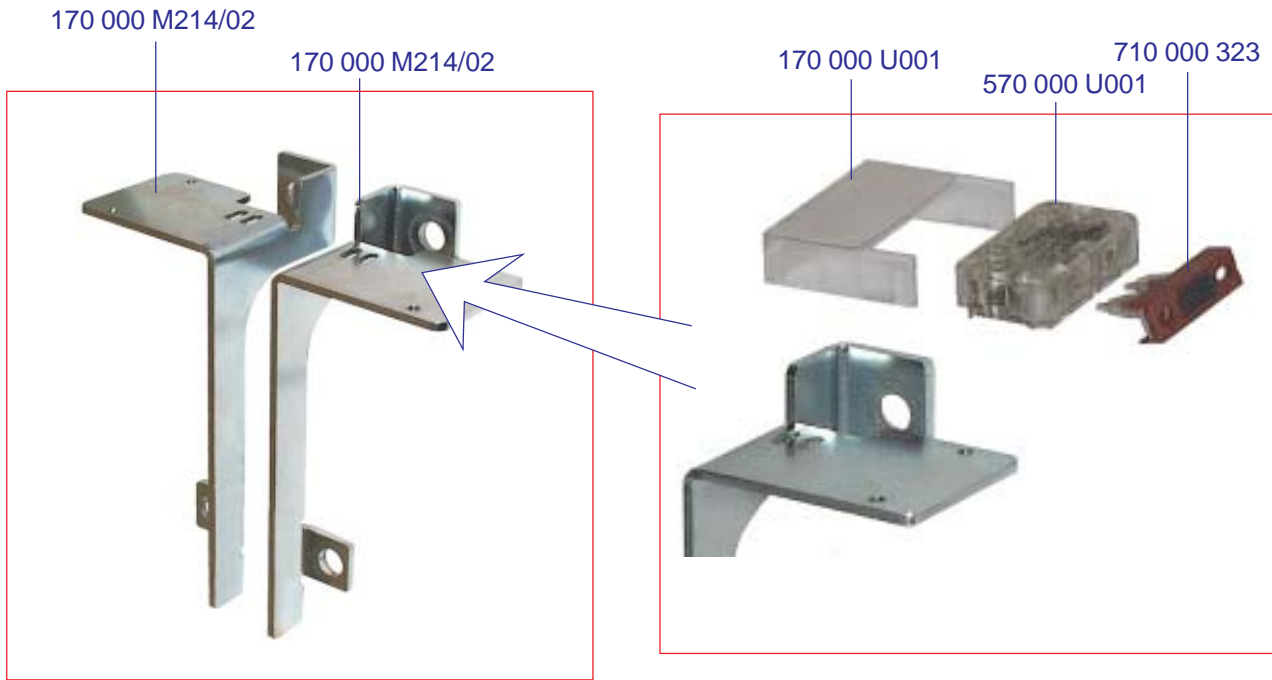




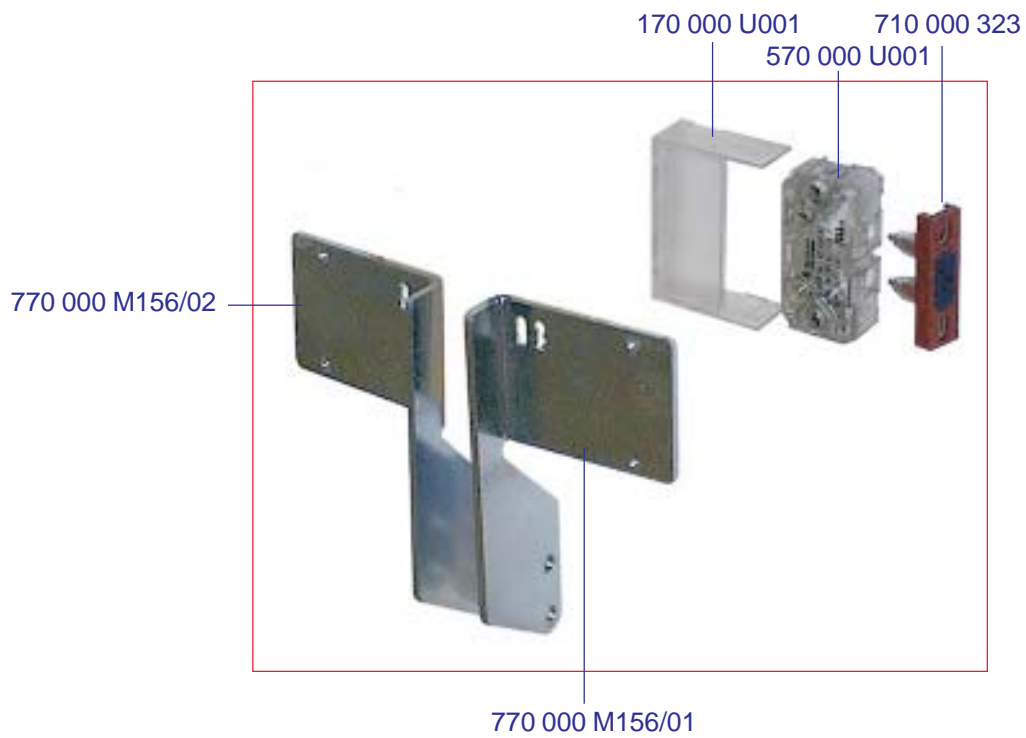
Code	L (mm)
770 000 I100/01	
770 000 I100/02	
770 000 I100/03	
770 000 I100/04	
770 000 I100/05	39.5
770 000 I100/06	
770 000 I100/07	
770 000 I100/08	
770 000 I100/09	
770 000 I100/10	
770 000 I100/11	

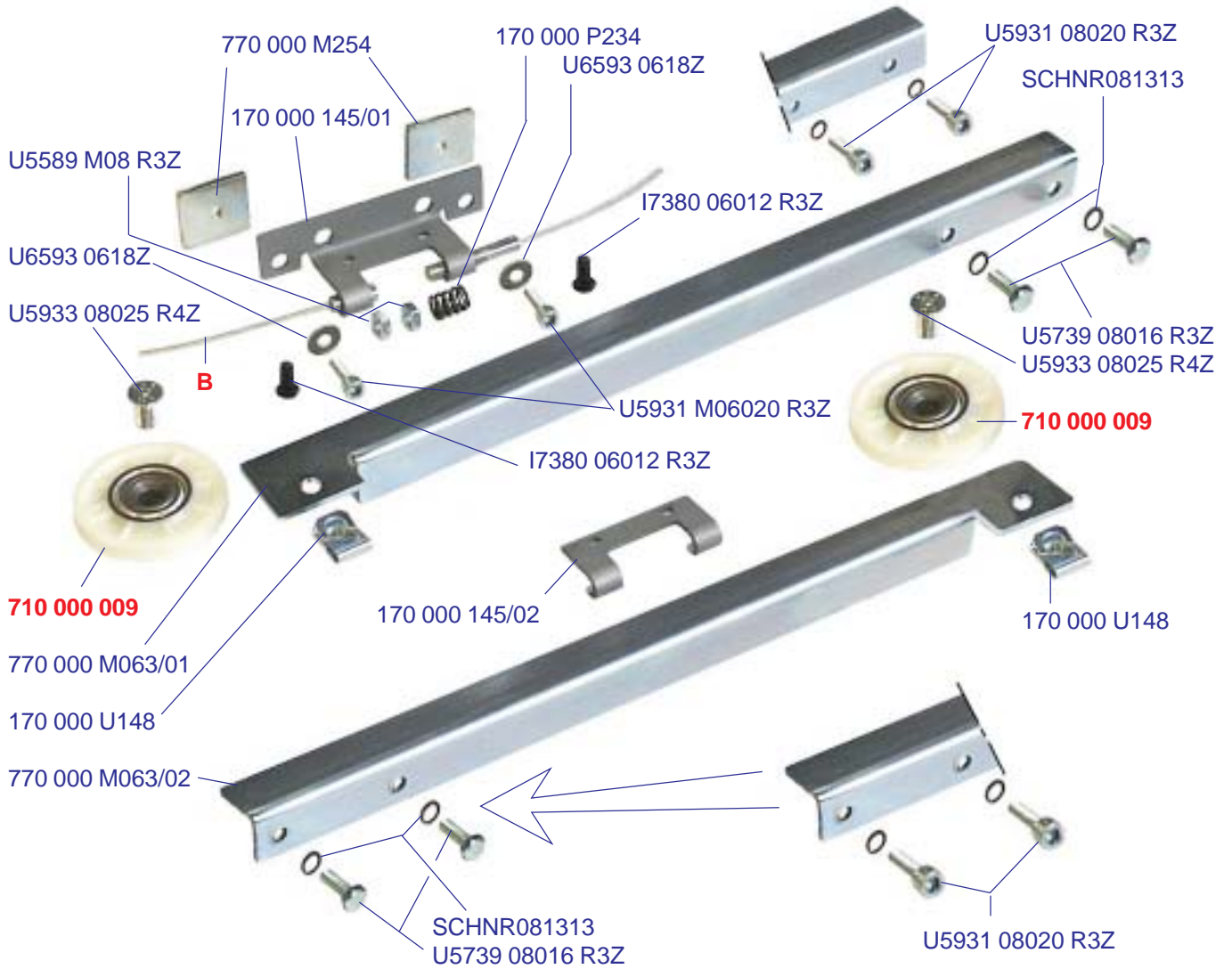


C2C

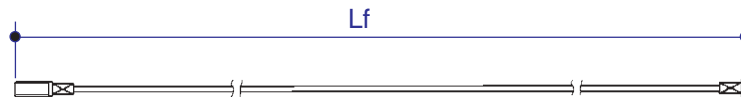


C4C

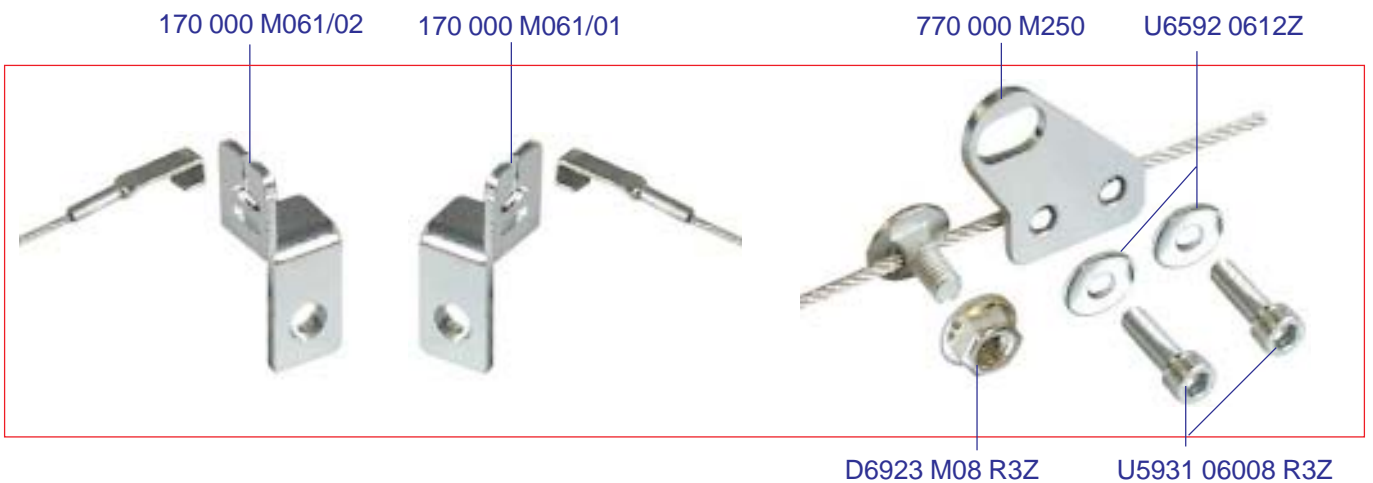
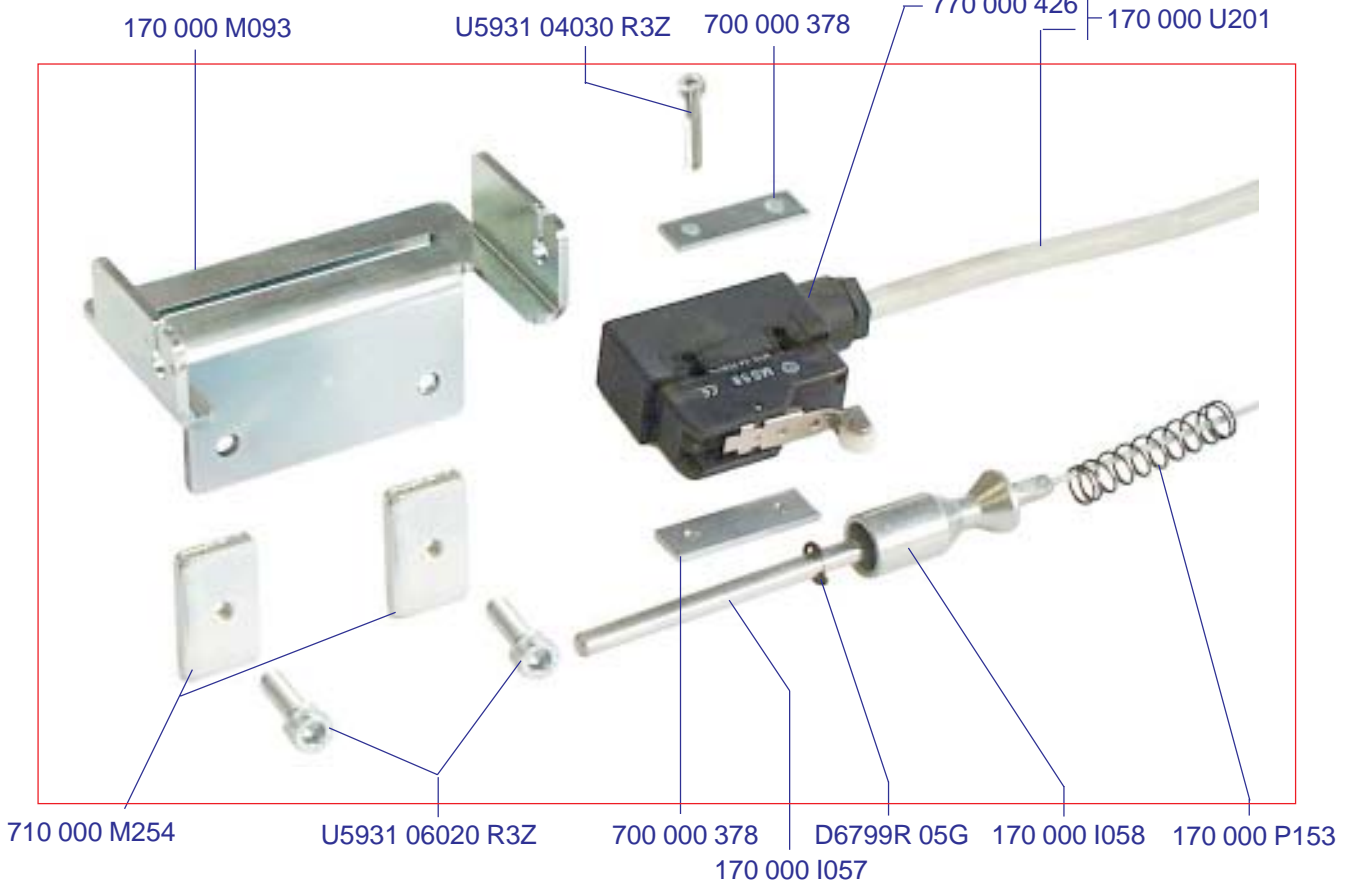
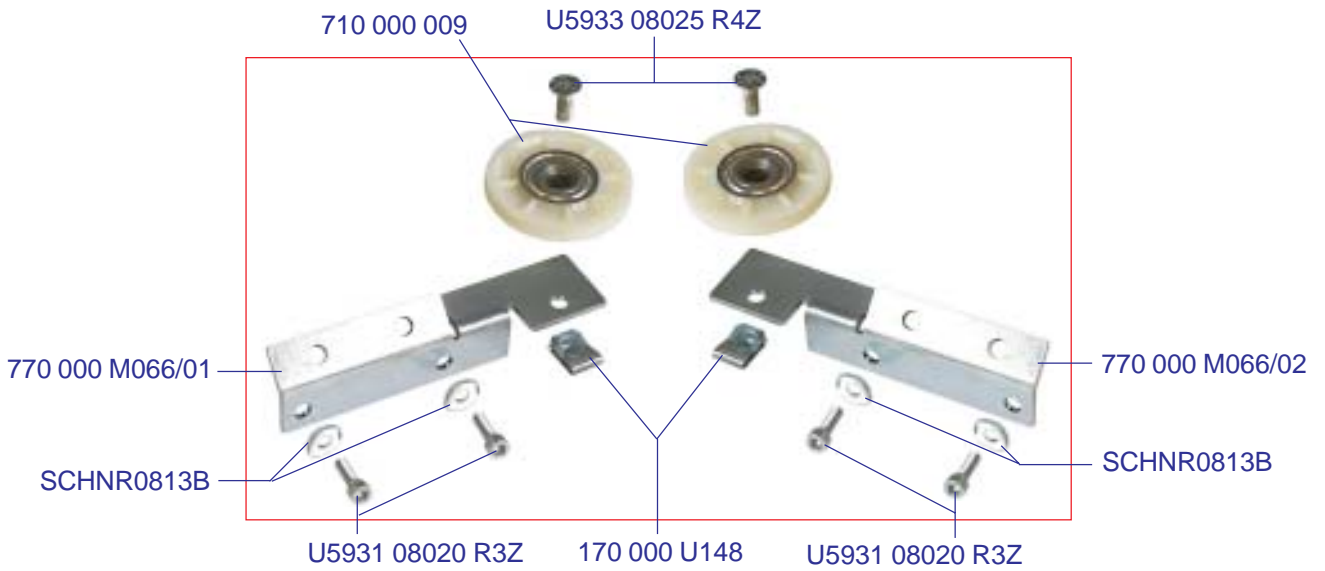
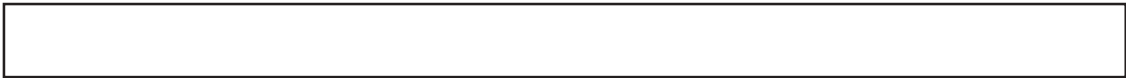


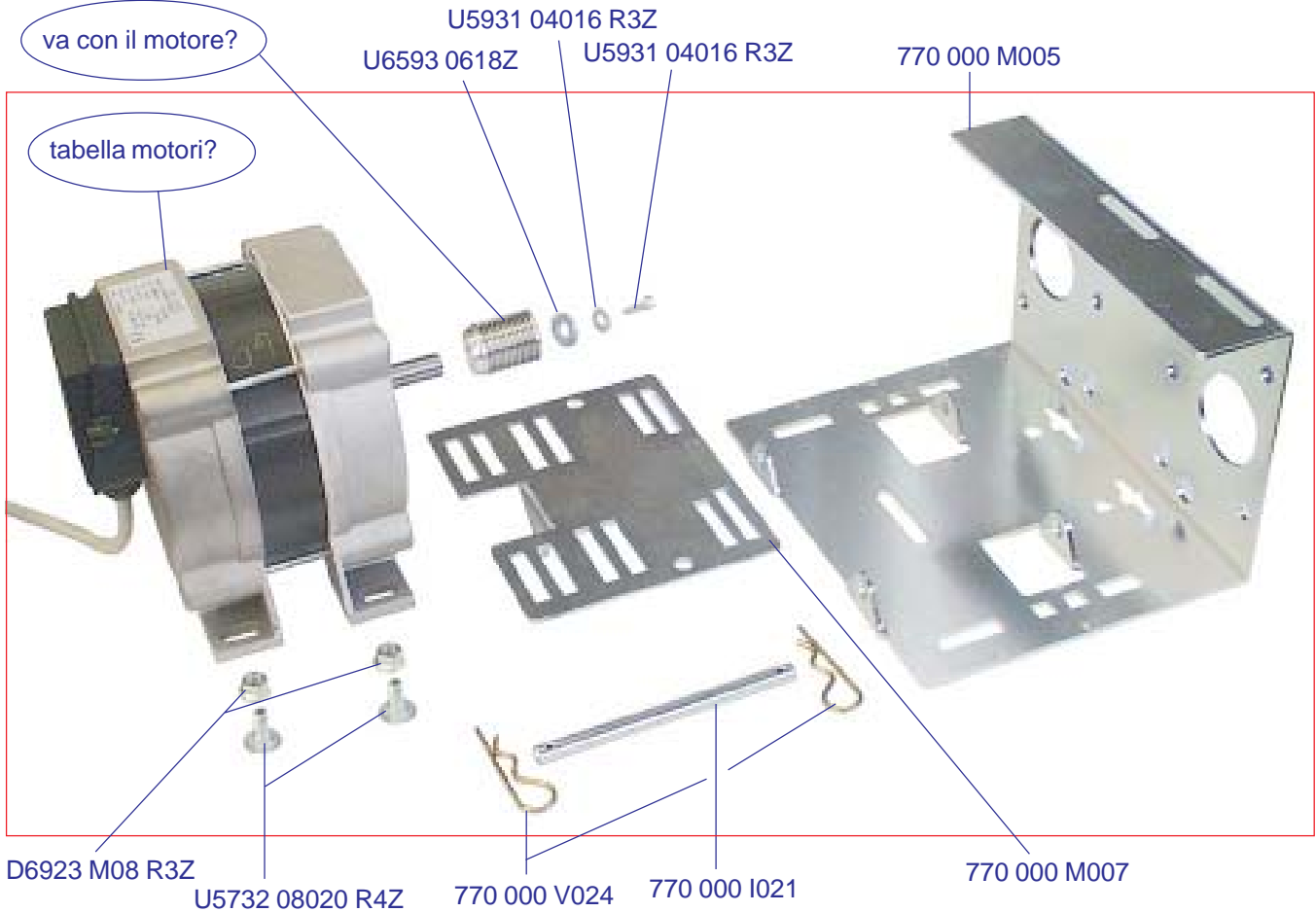


B

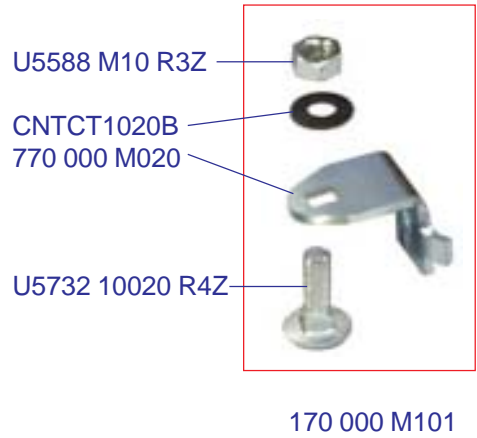


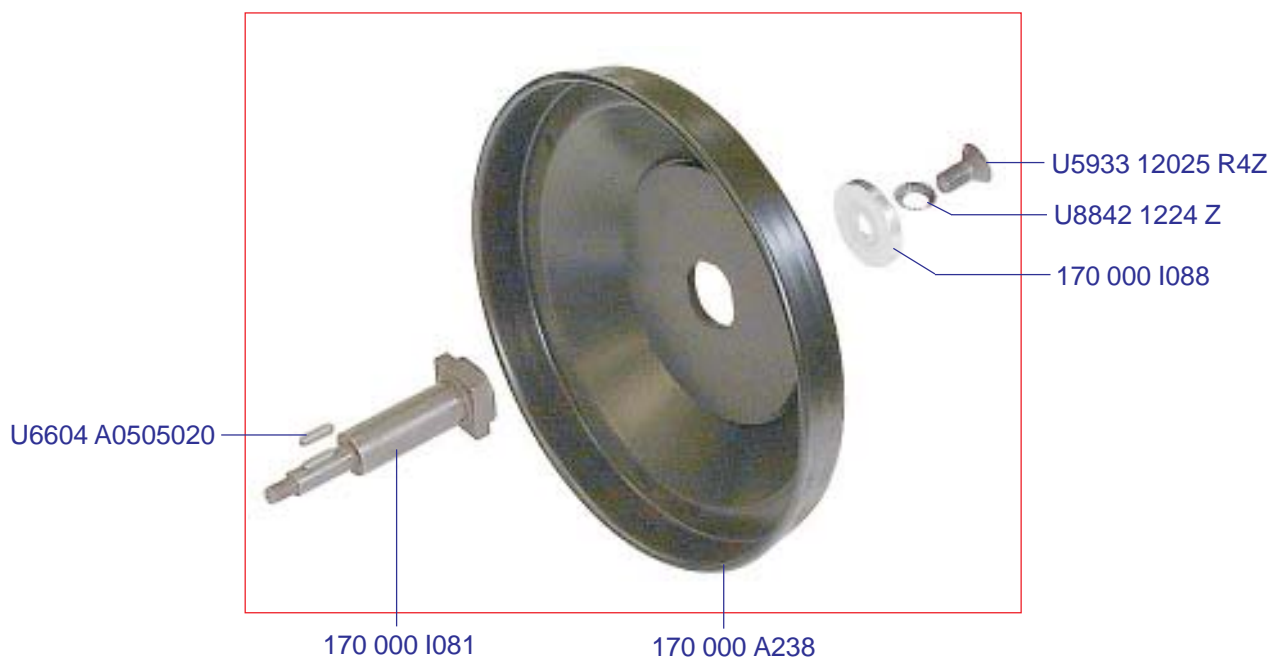
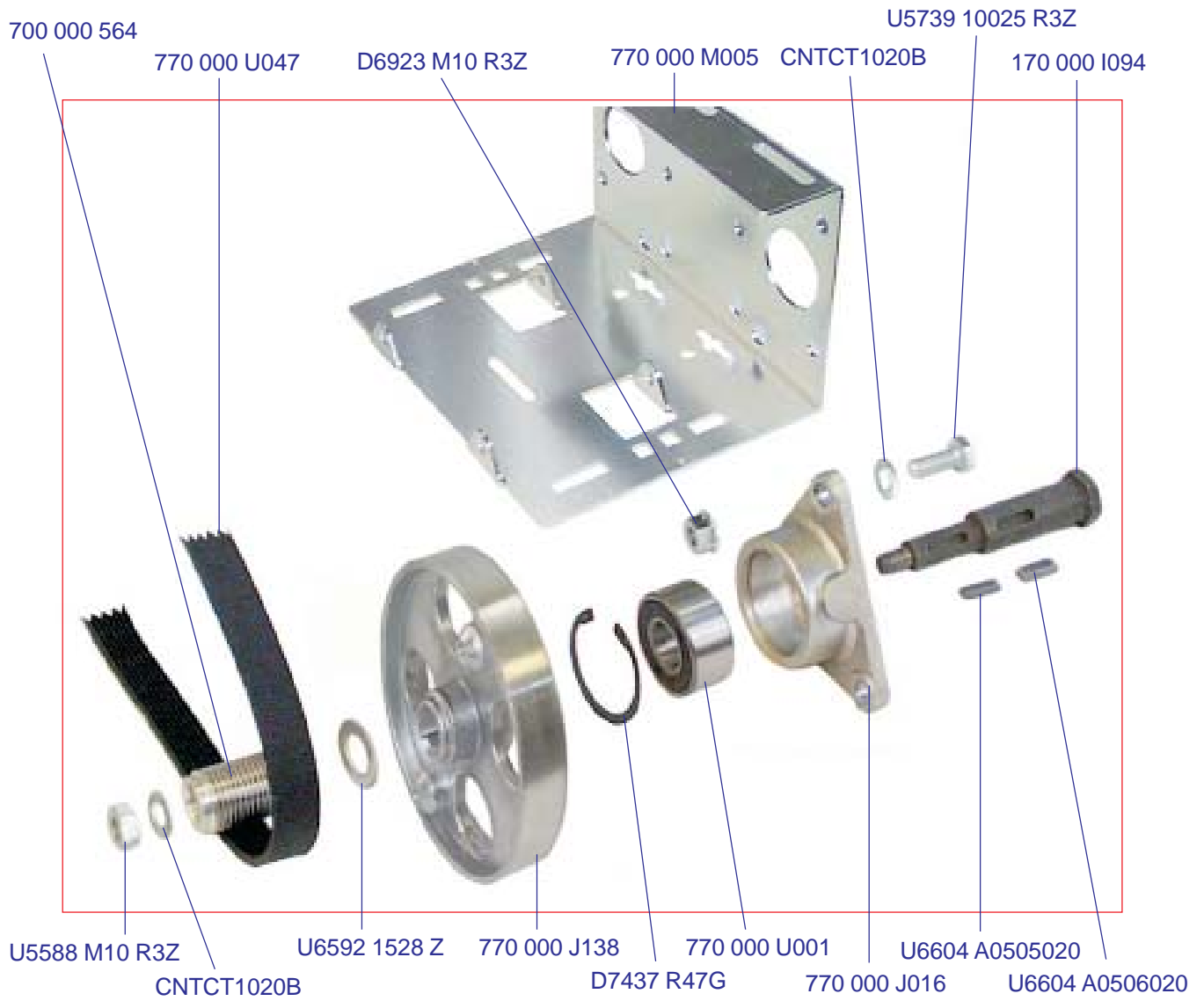
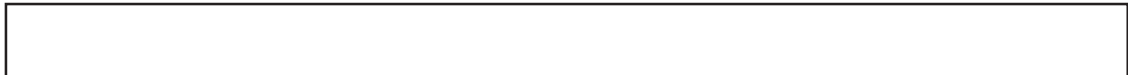
Code	Lf	C2S/...	C3S/...	C4C	C6C
770 000 W087/01	1180	500-550			
770 000 W087/02	1245	600-650			
770 000 W087/03	1340	700-750	700-1150	1200-1500	1200-2300
770 000 W087/04	1440	800-850	1200-1300	1600-1700	2400-2600
770 000 W087/05	1540	900-950	1350-1450	1800-1900	2700-2900
770 000 W087/06	1640	1000-1050	1500-1600	2000-2100	3000-3200
770 000 W087/07	1740	1100-1150	1650-1750	2200-2300	3300-3500
770 000 W087/08	1840	1200-1250	1800-1850	2400-2500	3600-3800
770 000 W087/09	1940	1300-1350	1950-2000	2600-2700	3900-4000
770 000 W087/10	2040	1400-1450		2800-2900	
770 000 W087/11	2140	1500-1550		3000-3100	
770 000 W087/12	2240	1600-1650		3200-3300	
770 000 W087/13	2340	1700-1750		3400-3500	
770 000 W087/14	2440	1800-1850		3600-3700	
770 000 W087/15	2540	1900-1950		3800-3900	
770 000 W087/16	2640	2000		4000	

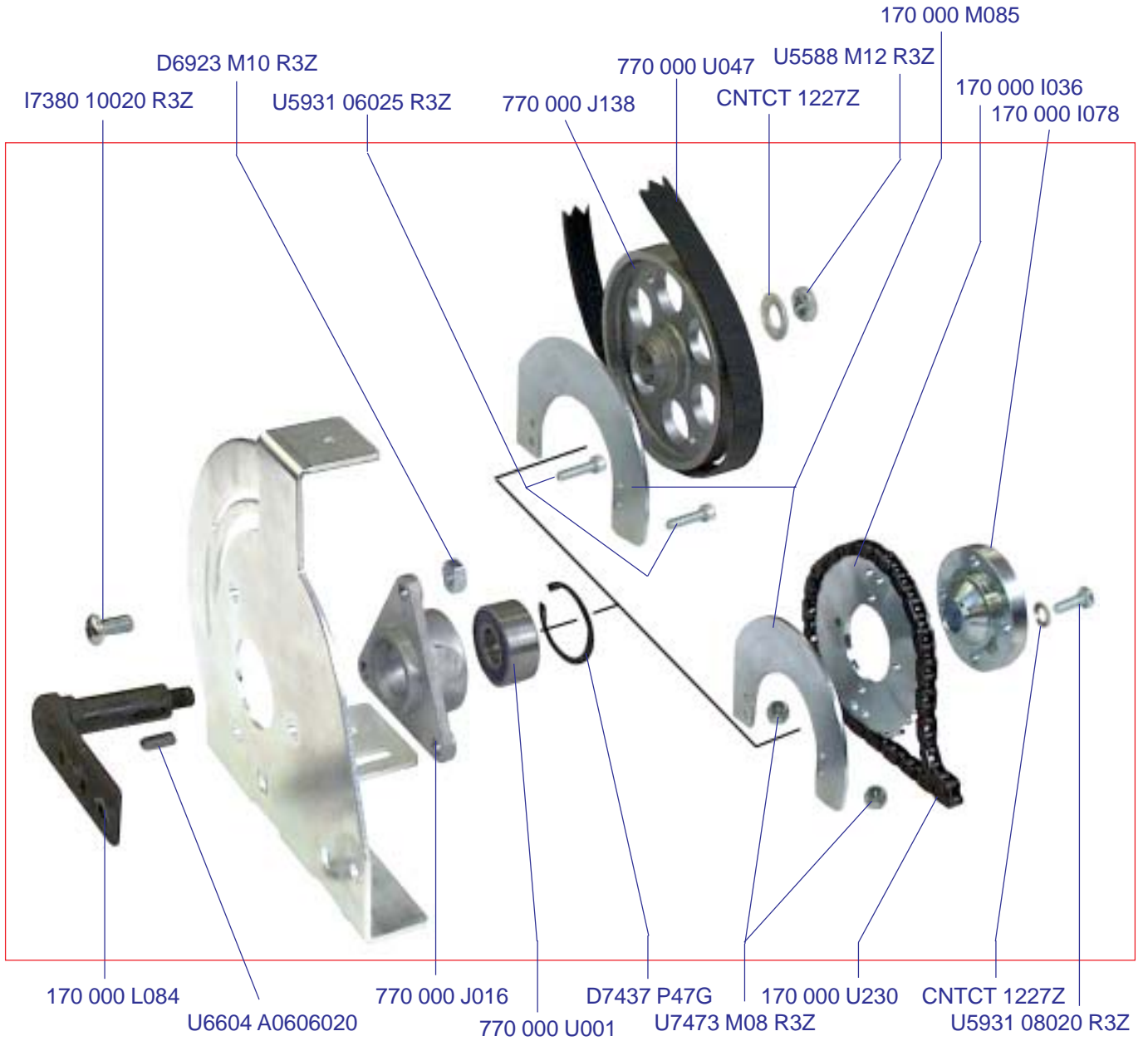


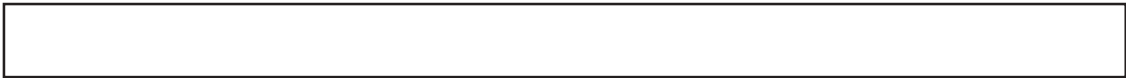


cosa sono?
720 000 M086/01
720 000 M086/02









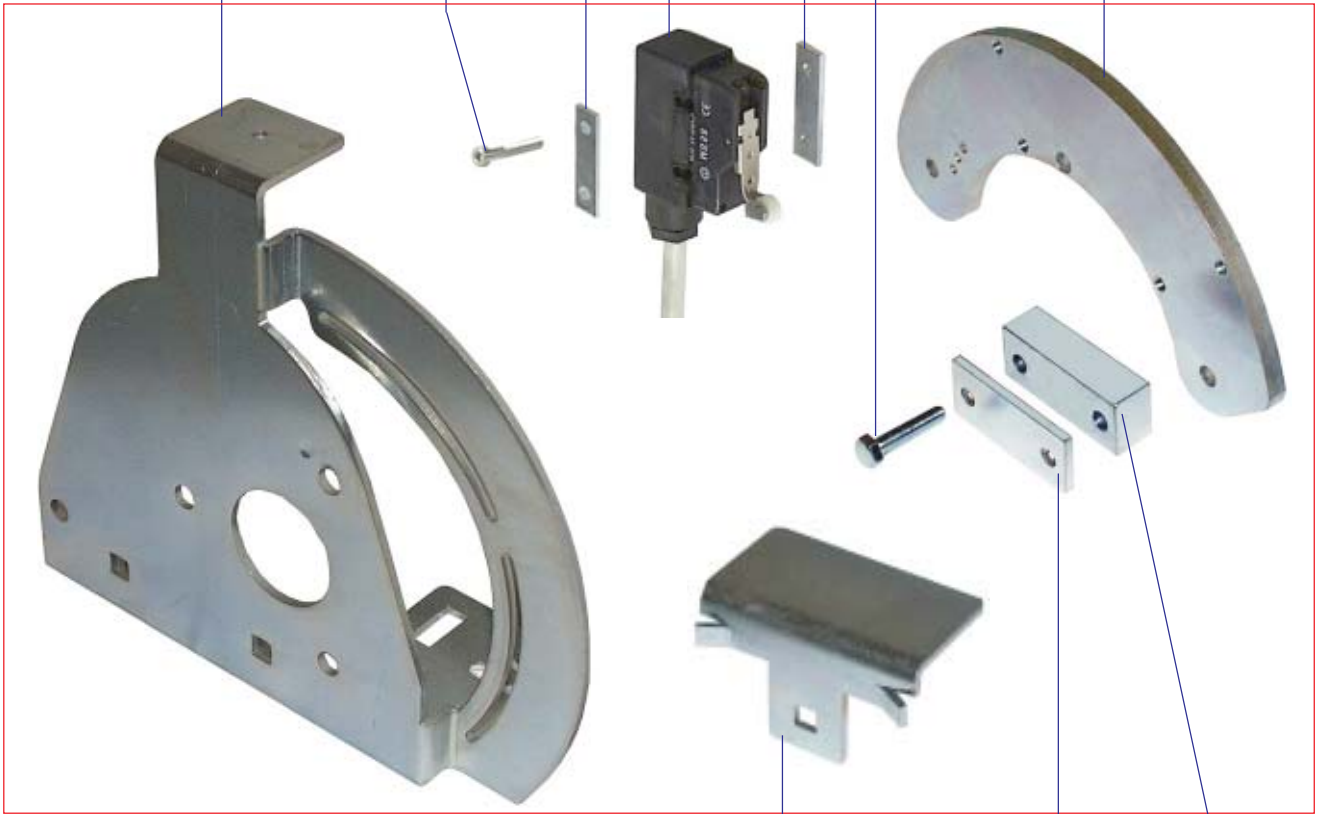
170 000 M099/01

U5931 04030 R3Z
700 000 378

170 000 U200
700 000 048

U5739 08040 R3Z

170 000 M194



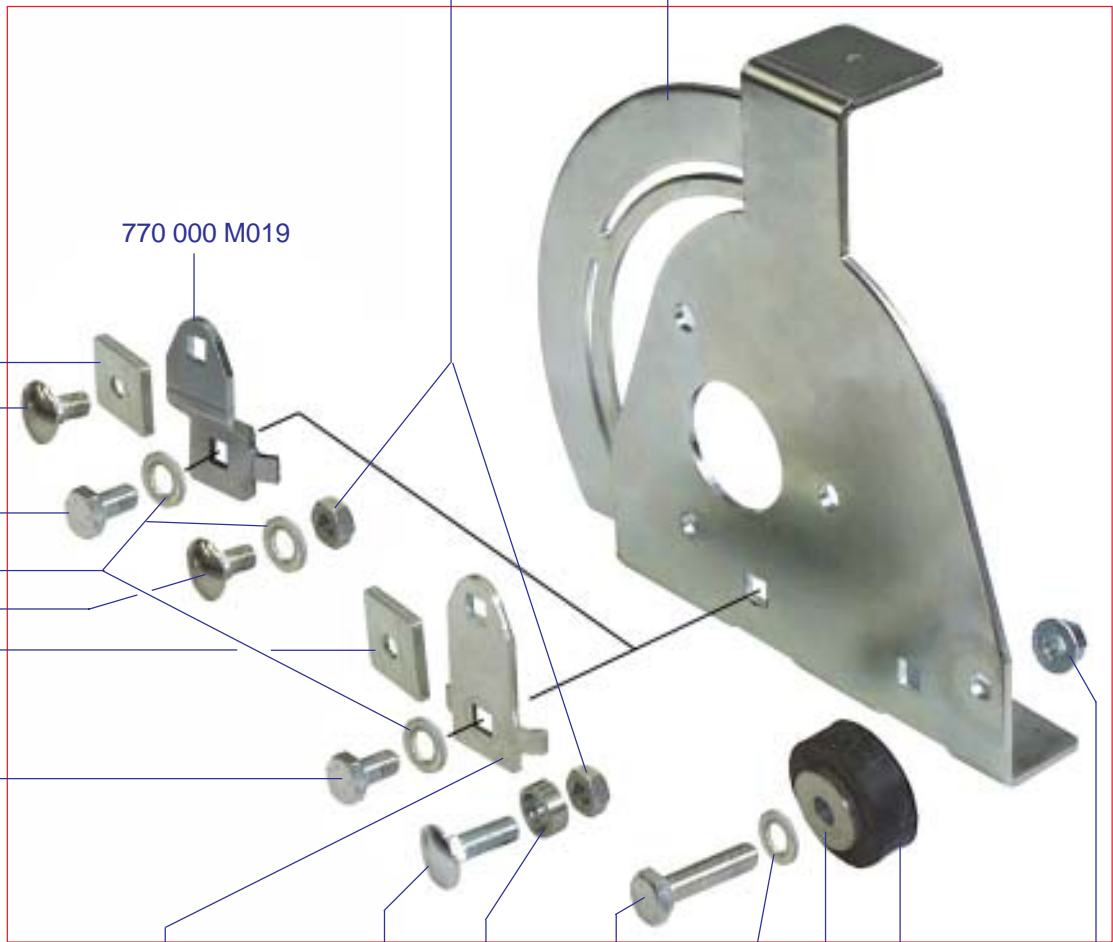
170 000 M062

170 000 X192

D6923 M10 R3Z

170 000 M099/02

170 000 X193



770 000 M019

770 000 M018

U5731 10020 R3Z

U5739 10018 R3Z

CNTCT 1020B

U5731 10020 R3Z

770 000 M018

U5739 10018 R3Z

U5731 10025 R3Z

CNTCT 1020B

170 000 V069

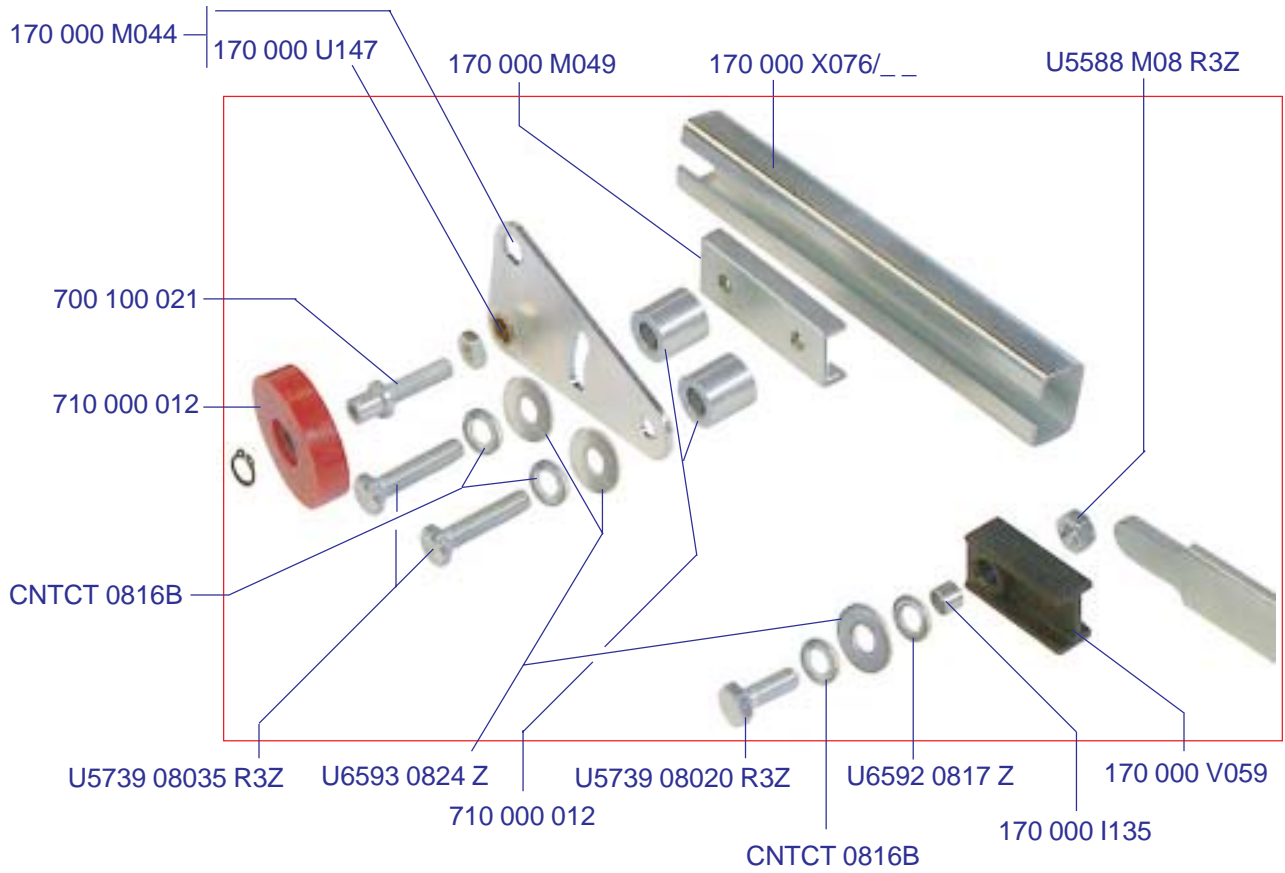
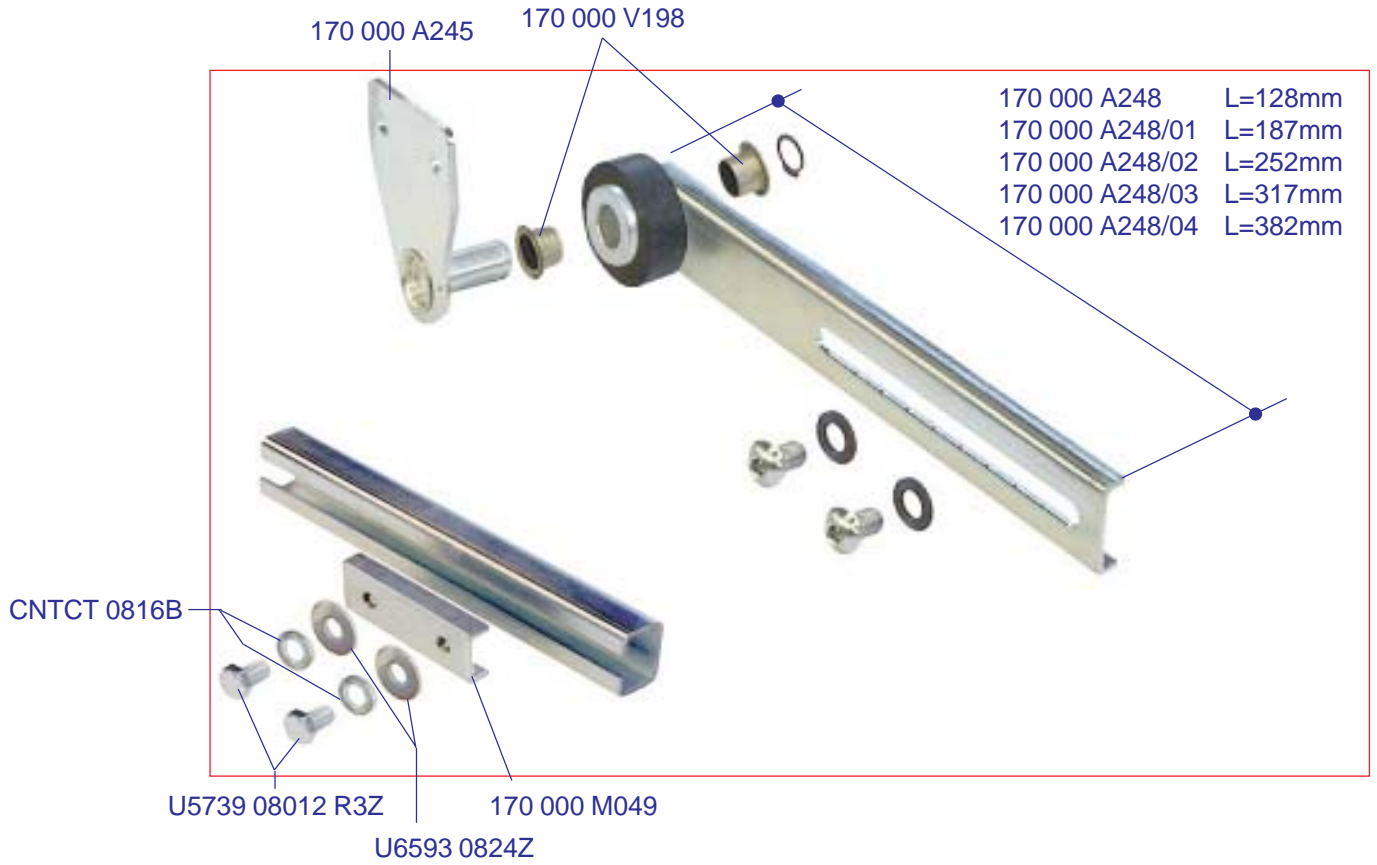
770 000 M019

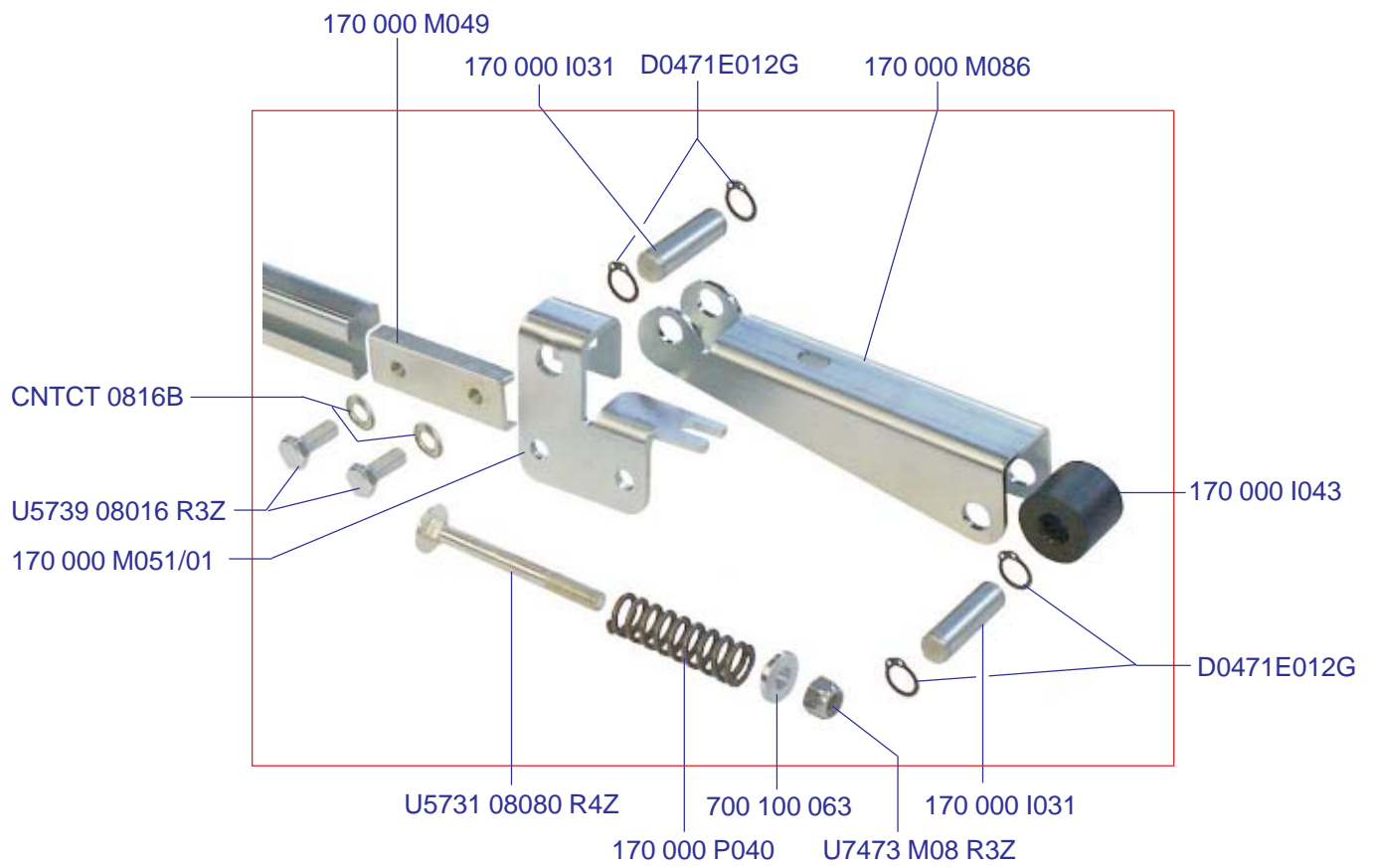
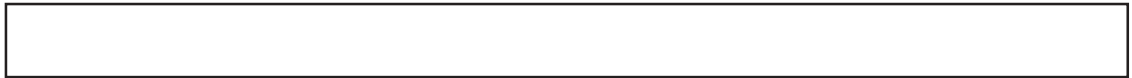
770 000 I076/02

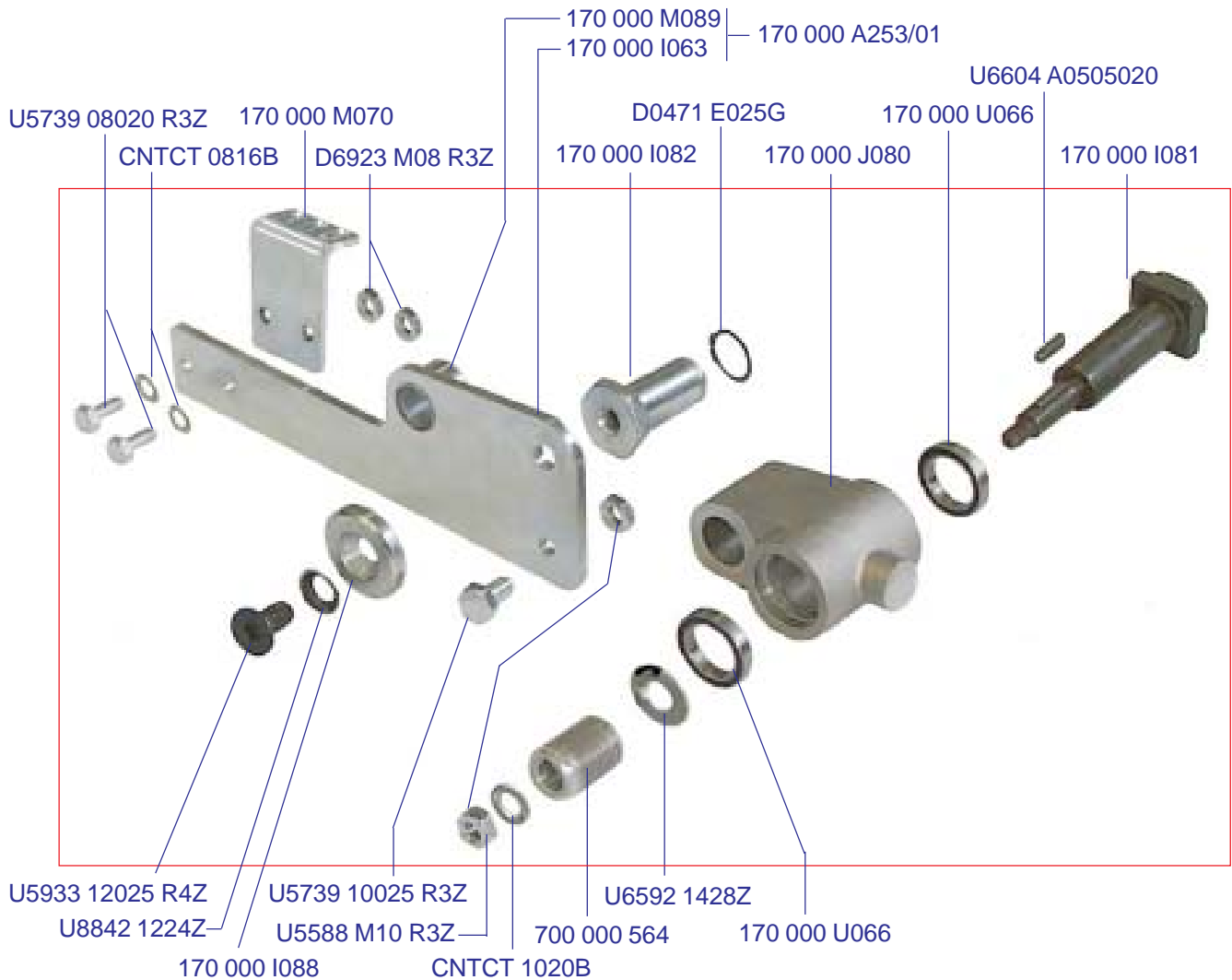
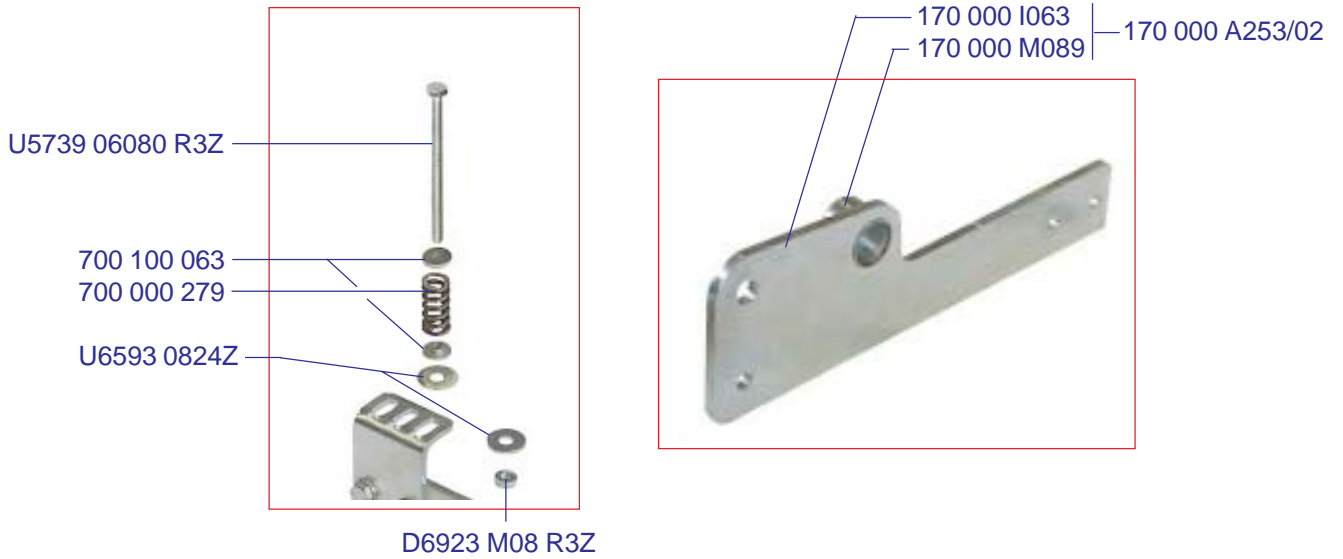
U5739 10040 R3Z

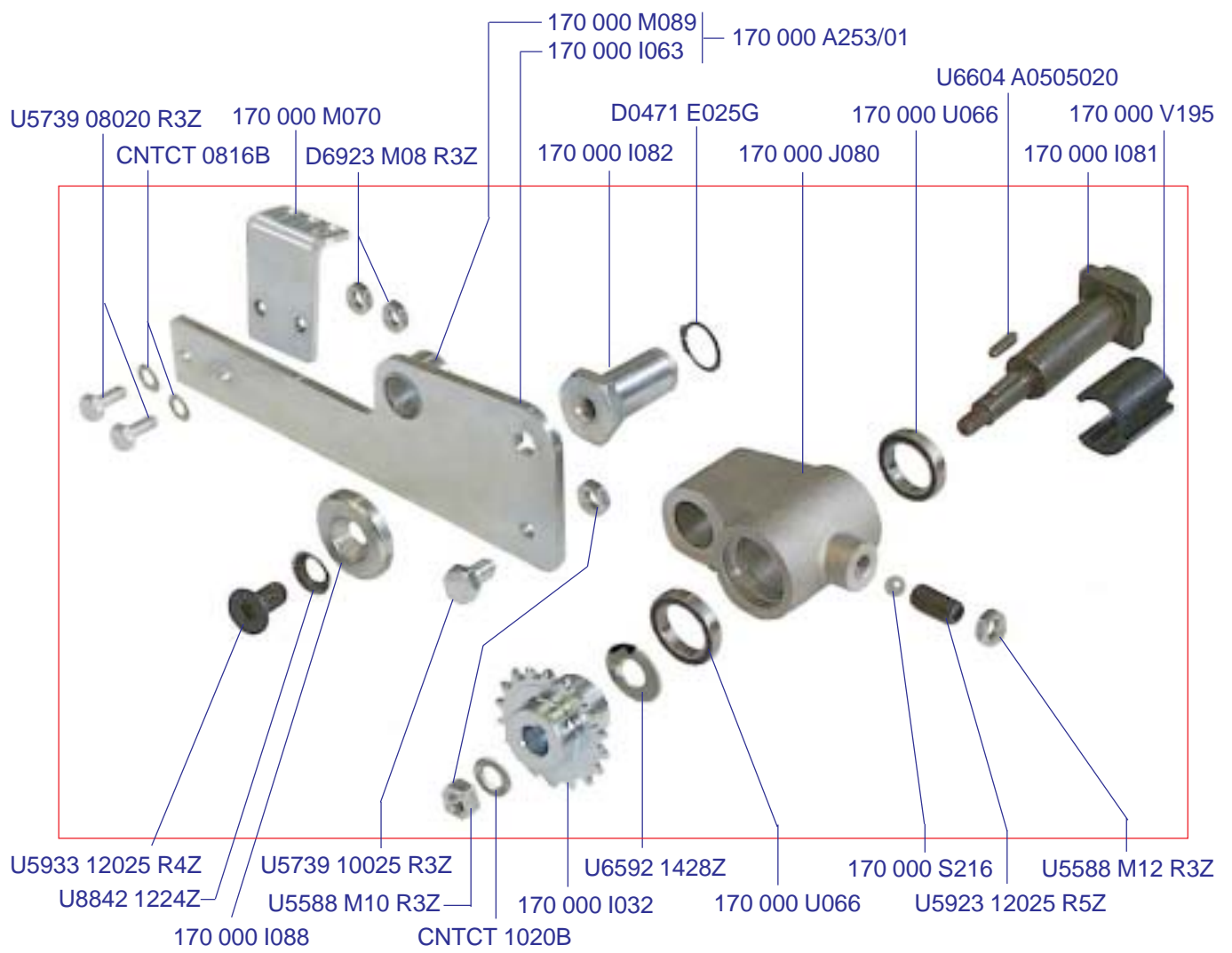
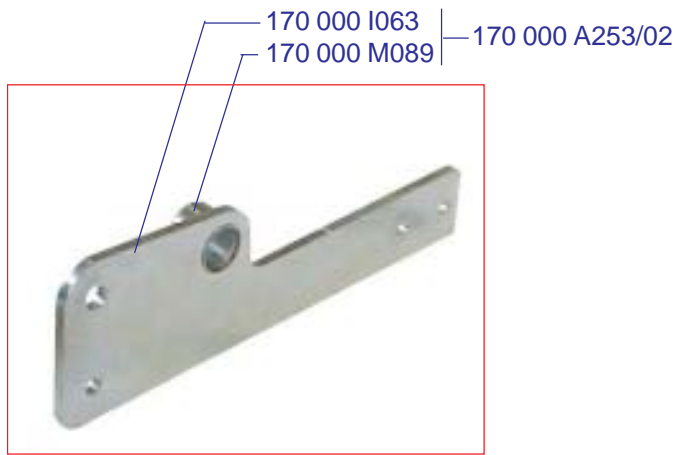
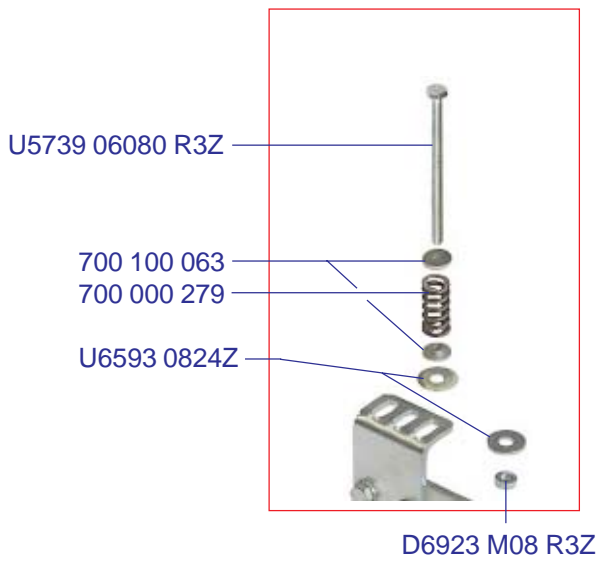
770 000 I079

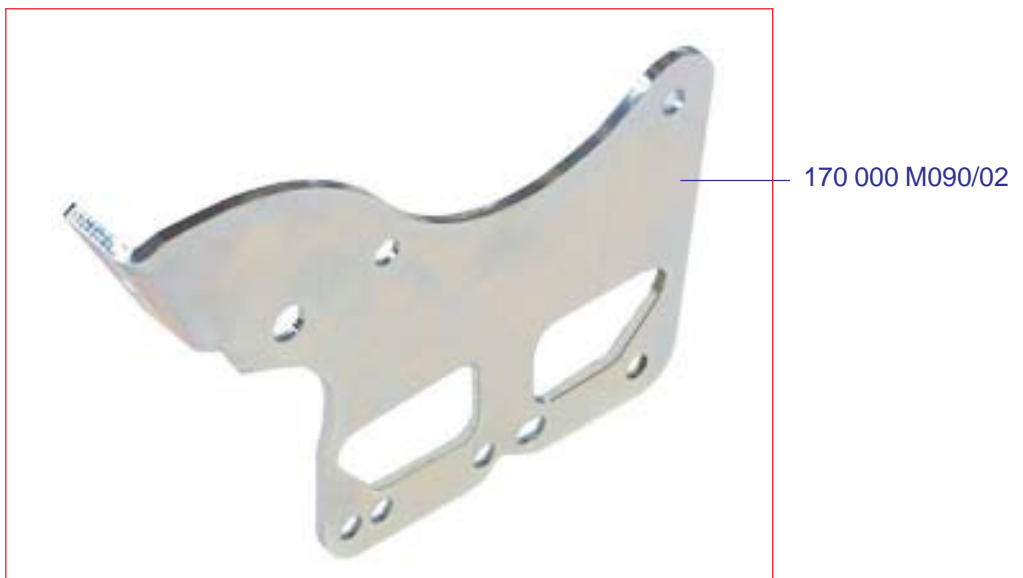
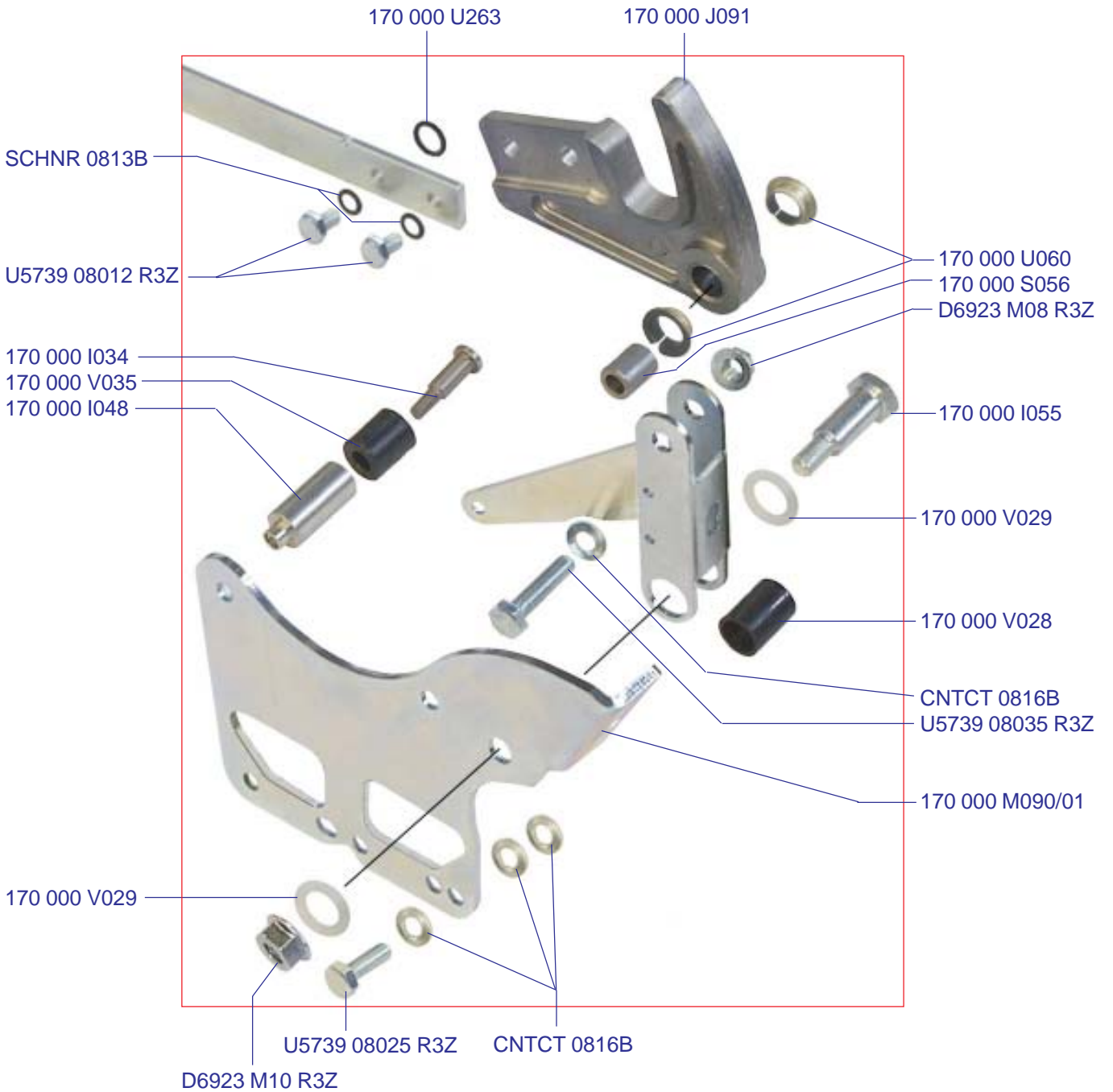
D6923 M10 R3Z

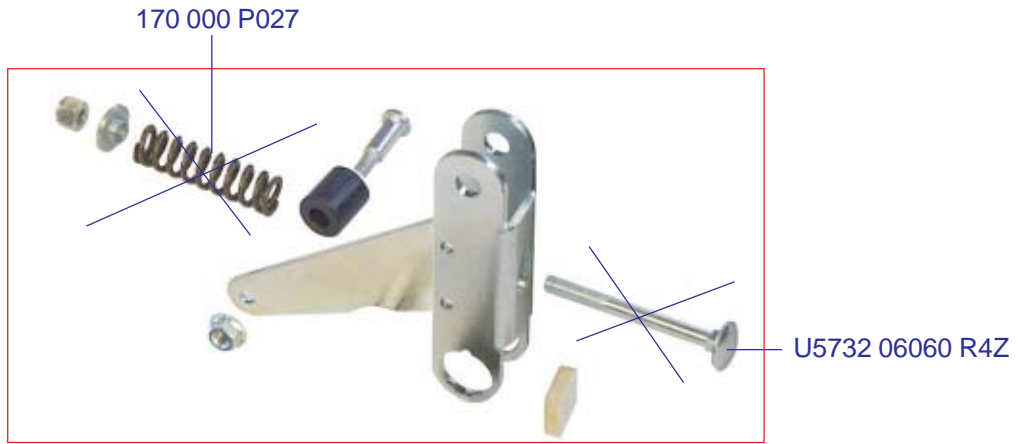


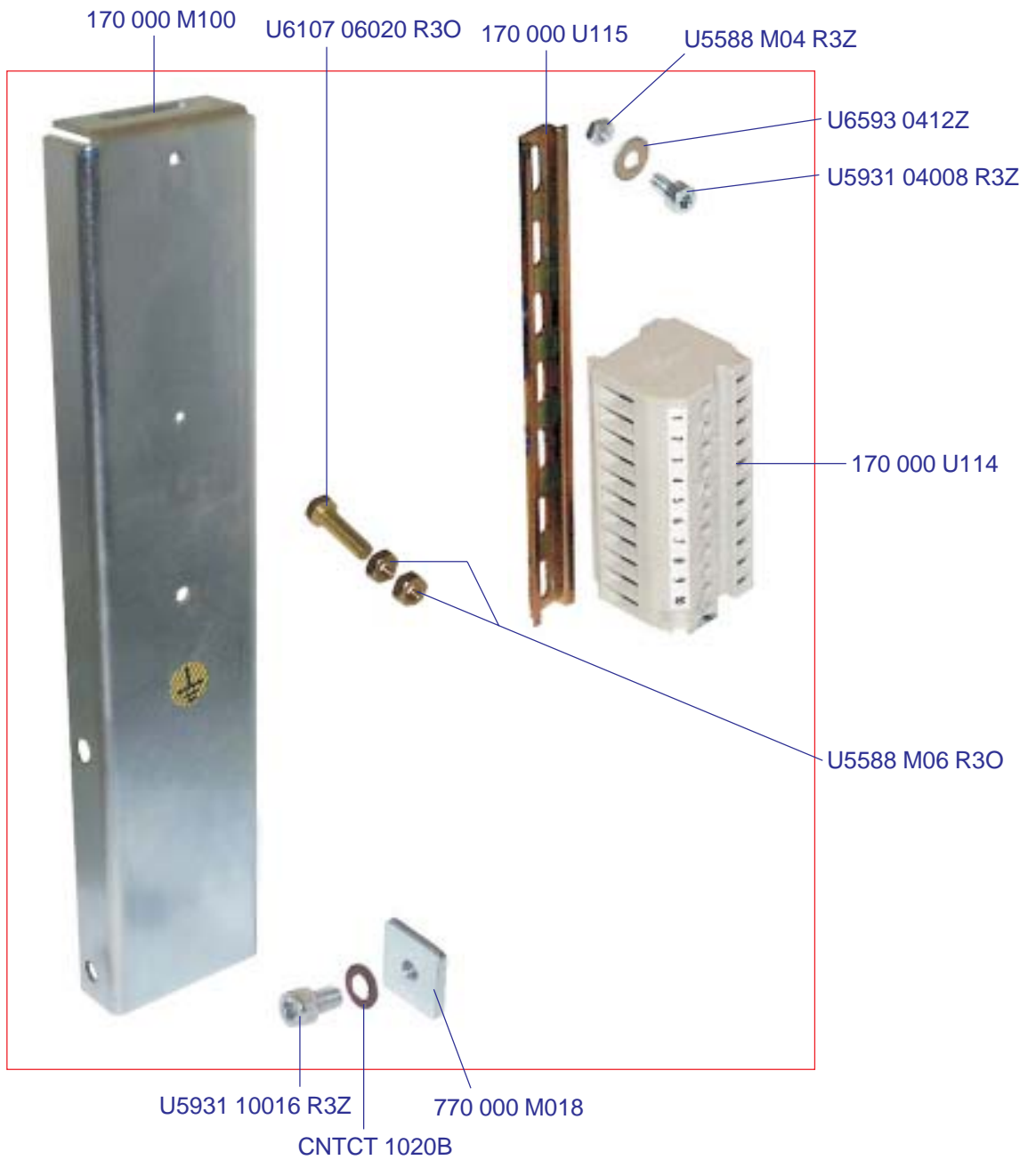


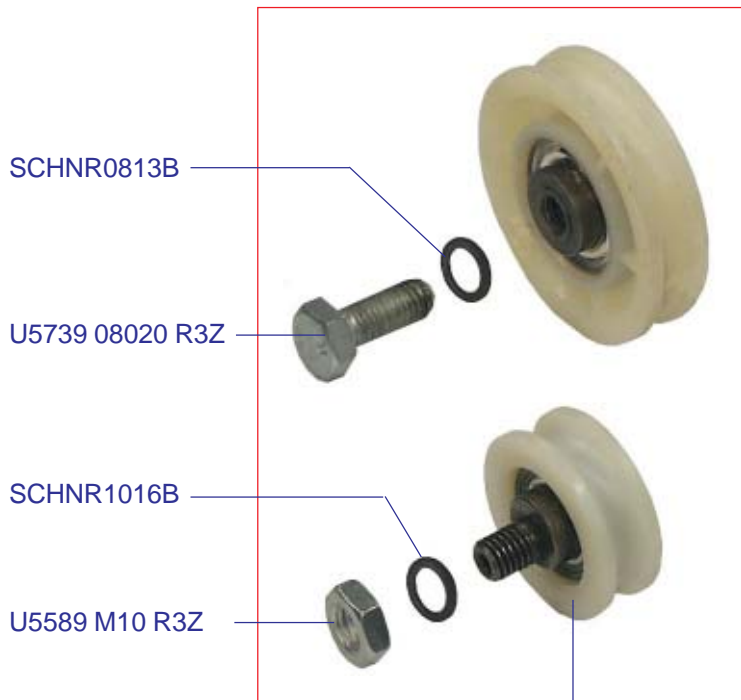
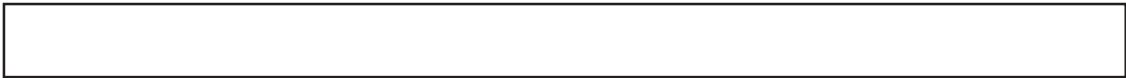






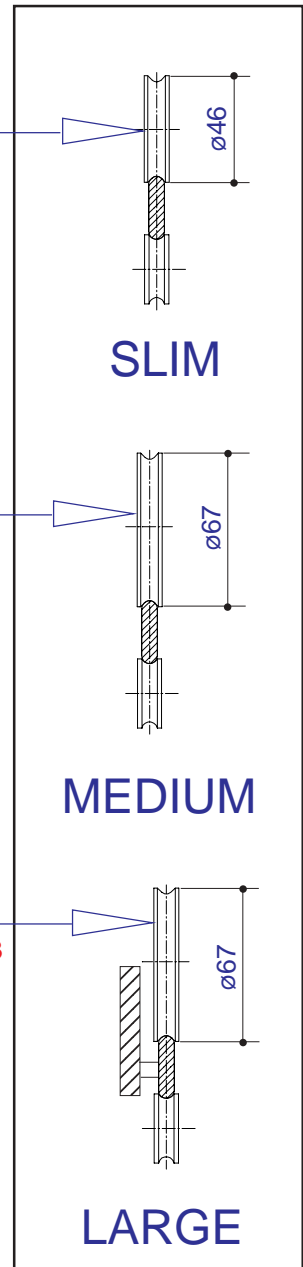






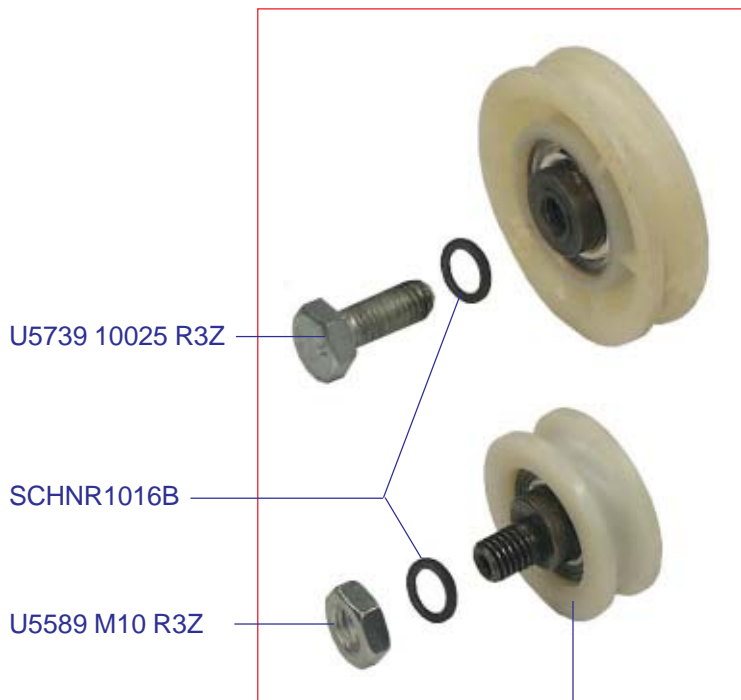
710 000 501

710 000 505

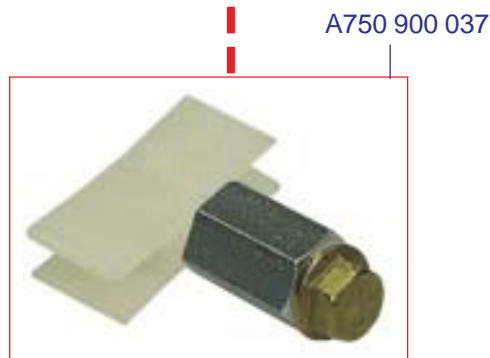
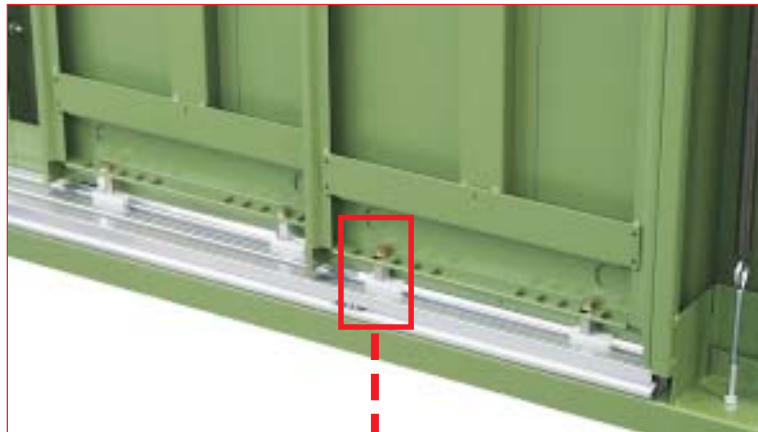
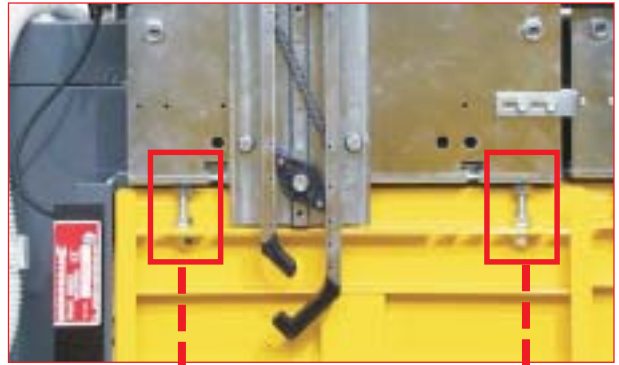
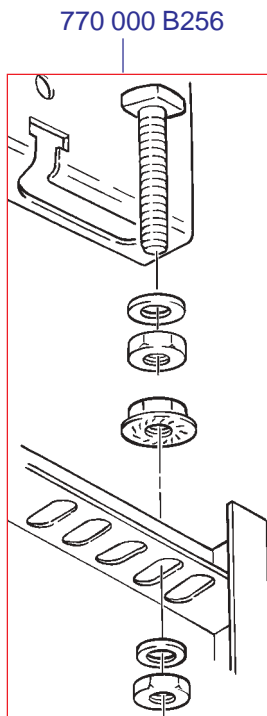


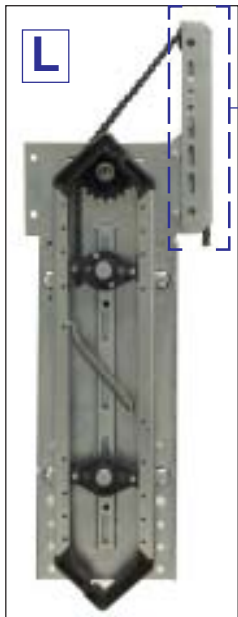
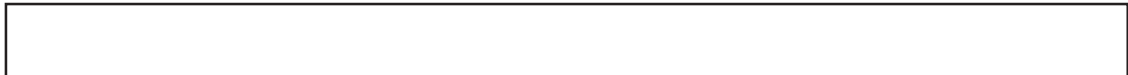
710 000 483

170 000 Z196/03



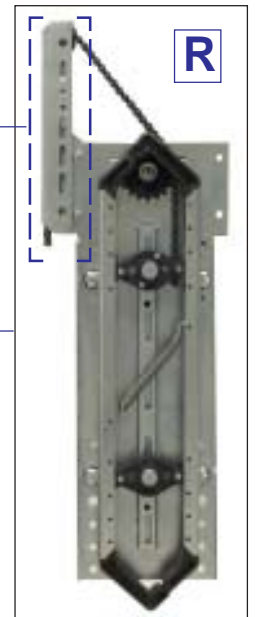
710 000 501





700 200 063

170 000 D005



700 200 063

170 000 D013



770 200 022

770 200 023

770 200 029



A770 200 503



770 200 019

770 200 006



A770 200 504



770 200 009