



Automatic doors for elevators

# LANDING DOORS

## SERIE Q GENERAL INFORMATION (03)

**PRISMA S.r.l.**

Quartiere Artigianale  
I-43055 Casale di Mezzani (Pr) Italy  
Tel. +39 0521 3164.11  
Fax +39 0521 3164.333  
e-mail: [sales@prismaitaly.it](mailto:sales@prismaitaly.it)  
[www.prismaitaly.it](http://www.prismaitaly.it)

Production Unit:

- 1) Pessano con Bornago (Mi) Italy
- 2) Casale di Mezzani (Pr) Italy

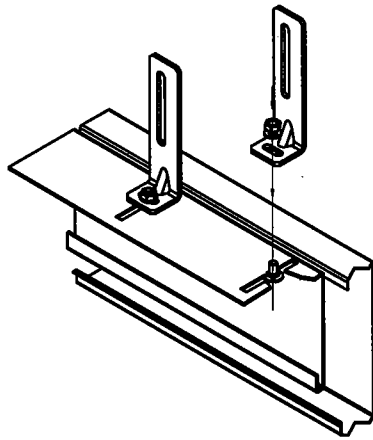


# GENERAL INFORMATION

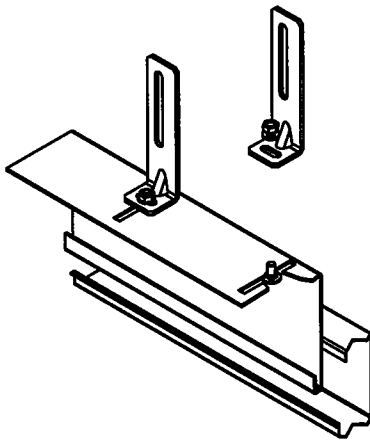
## Serie "Q"

FIXING STADARD

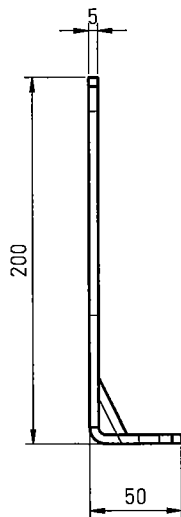
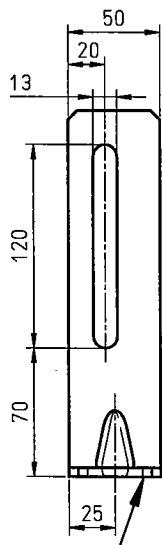
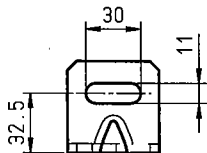
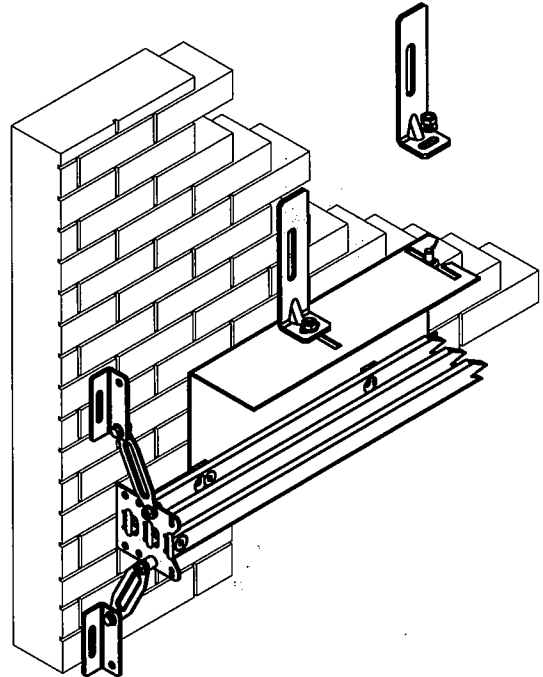
01\_03\_00\_01REV00



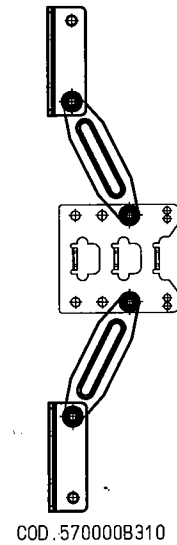
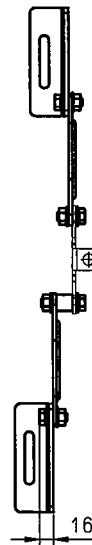
STANDARD



DIN



COD. 270000M048



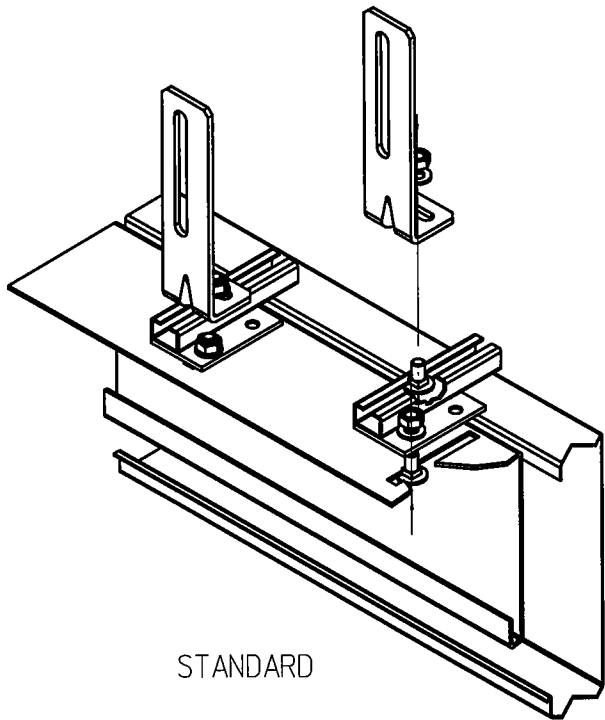
COD. 570000B310

# GENERAL INFORMATION

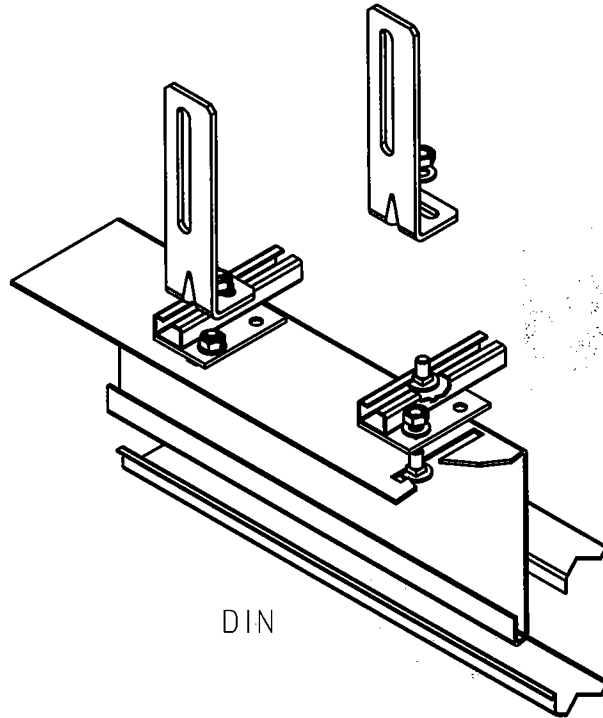
erie "Q"

ING WHIT UNI STRUTS

03\_00\_01REV00



STANDARD

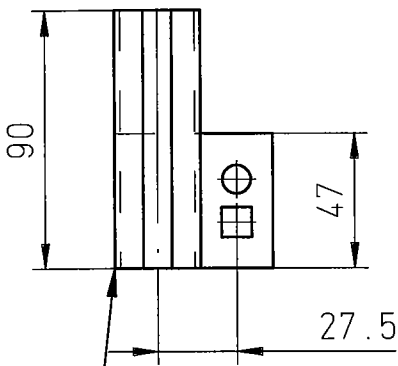


DIN

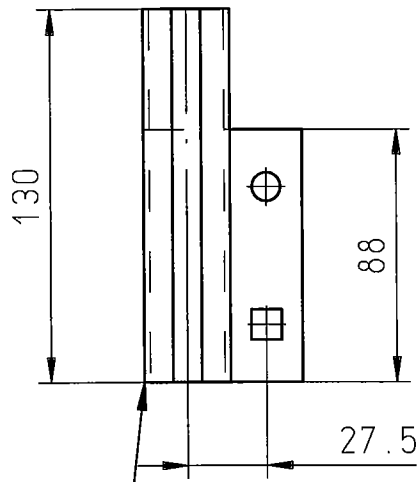
L1S
L2C

L2S
L4C

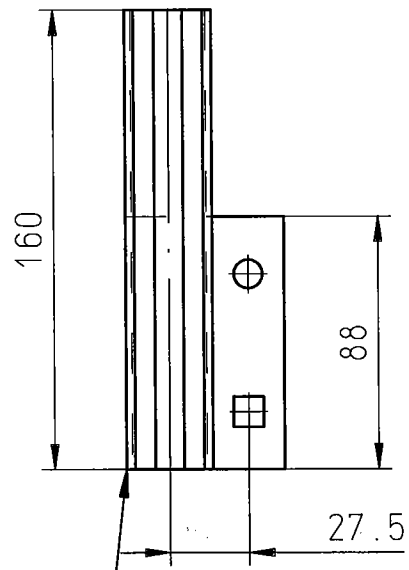
L3S
L6C



COD. 570000A144



COD. 570000A145



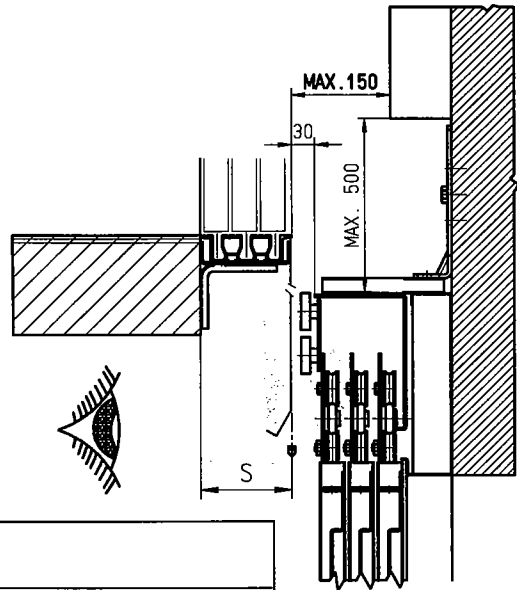
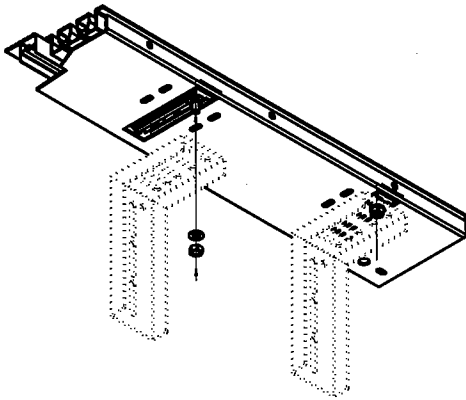
COD. 570000A146
























# GENERAL INFORMATION

## Serie "Q"

SUGGESTED FIXINGS

01\_03\_00\_01REV00



COD.	MAX. S				
270000M048	50				STANDARD
270000M237	70				OPTIONAL
270000M001	50				
270000M236	70				
270000M242	95				
270000M246	95				
270000M247	135				
270000M248	165				
270000M270	200				
270000M243	95			 3000 KG. MAX	
270000M244	135				
270000M245	165				
270000M271	200				
270015M016	95			 3000/10000 KG.	
270015M017	135				
270015M019	165				
270015M020	200				

# GENERAL INFORMATION

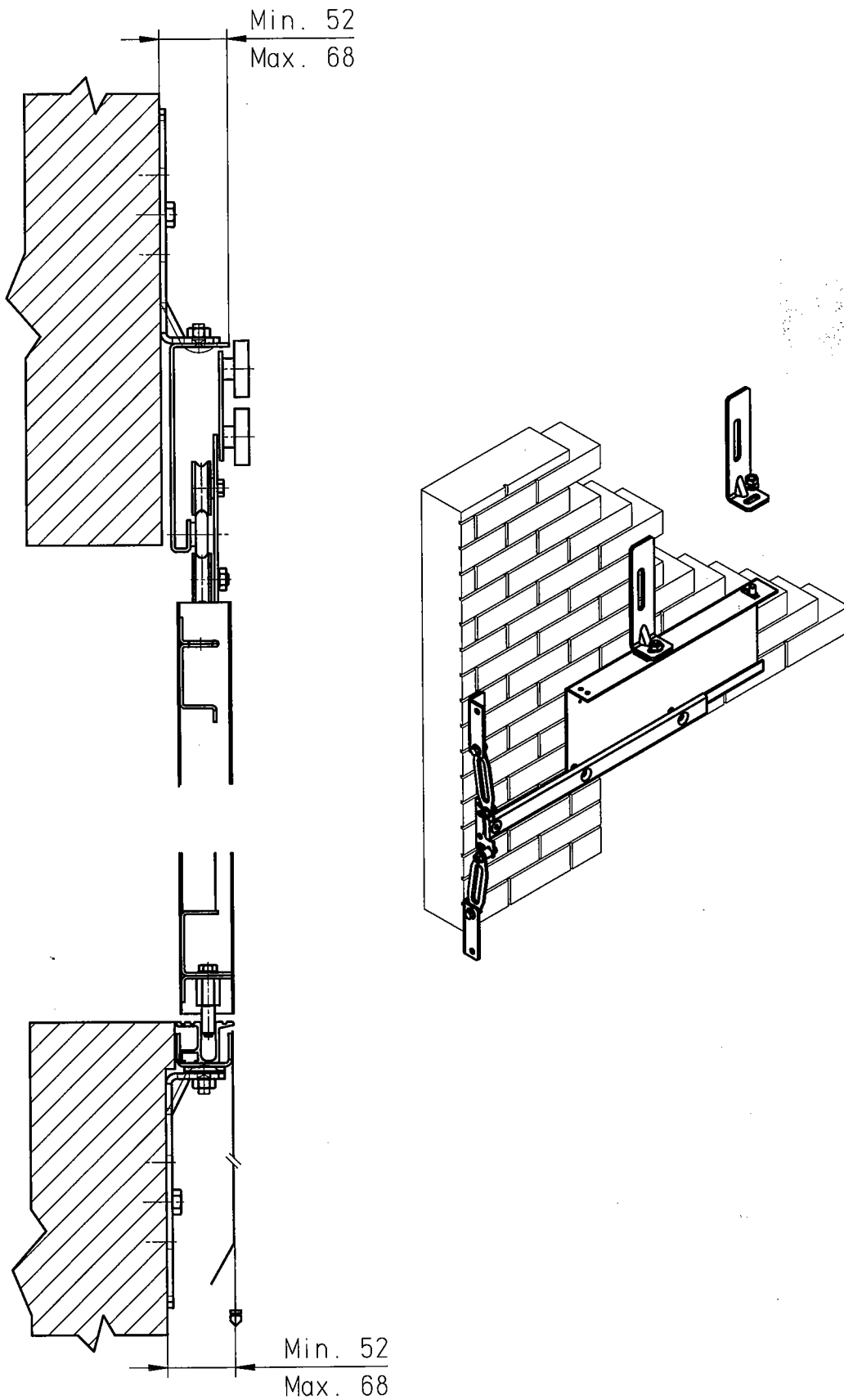
erie "Q"

SEMBLY WITHOUT FRAME

03\_00\_01REV00



L2C



# GENERAL INFORMATION

**Serie "Q"**

ASSEMBLY WITHOUT FRAME

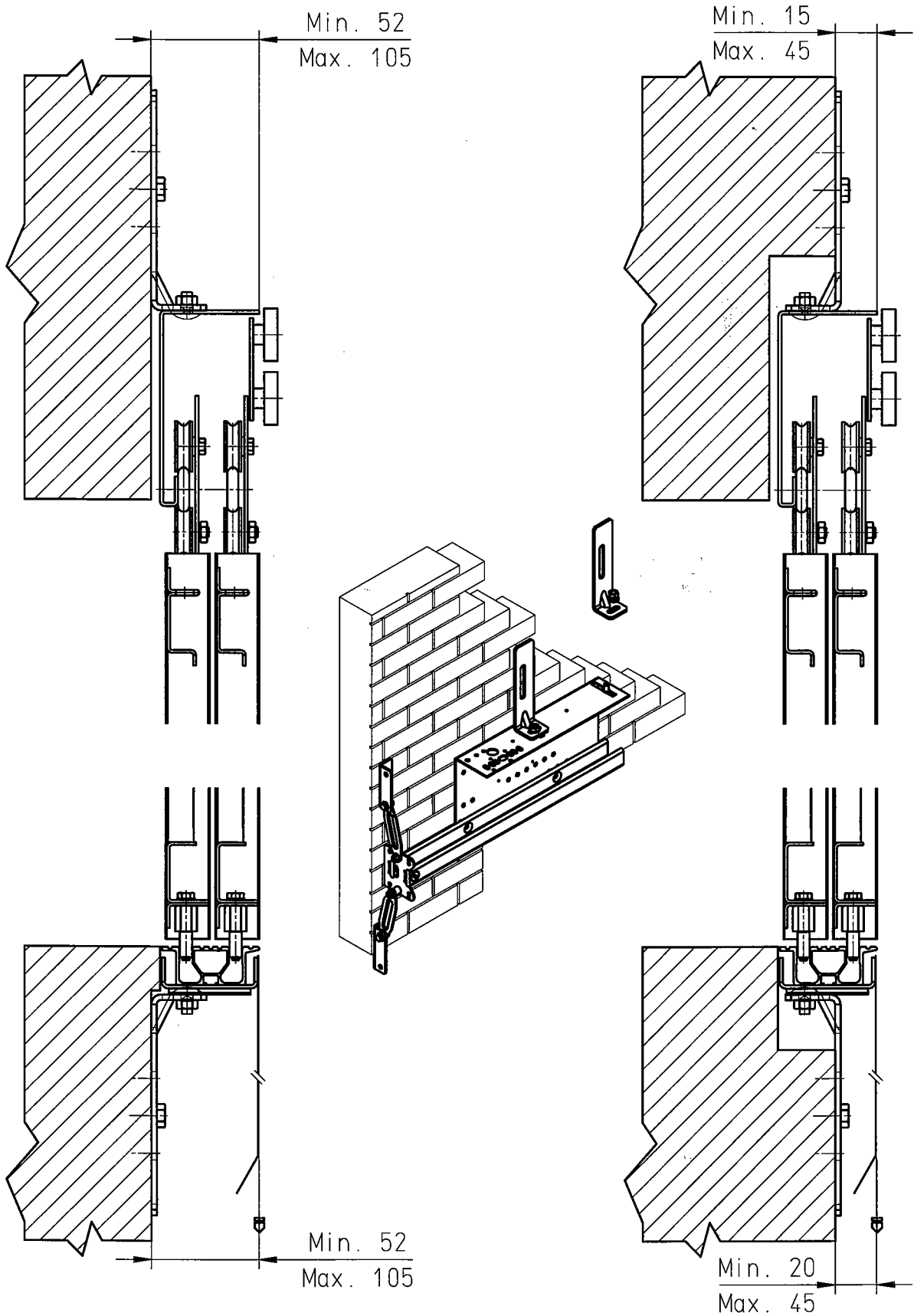
01\_03\_00\_01REV00



L2S/...



L4C



# GENERAL INFORMATION

erie "Q"

SEMBLY WITHOUT FRAME

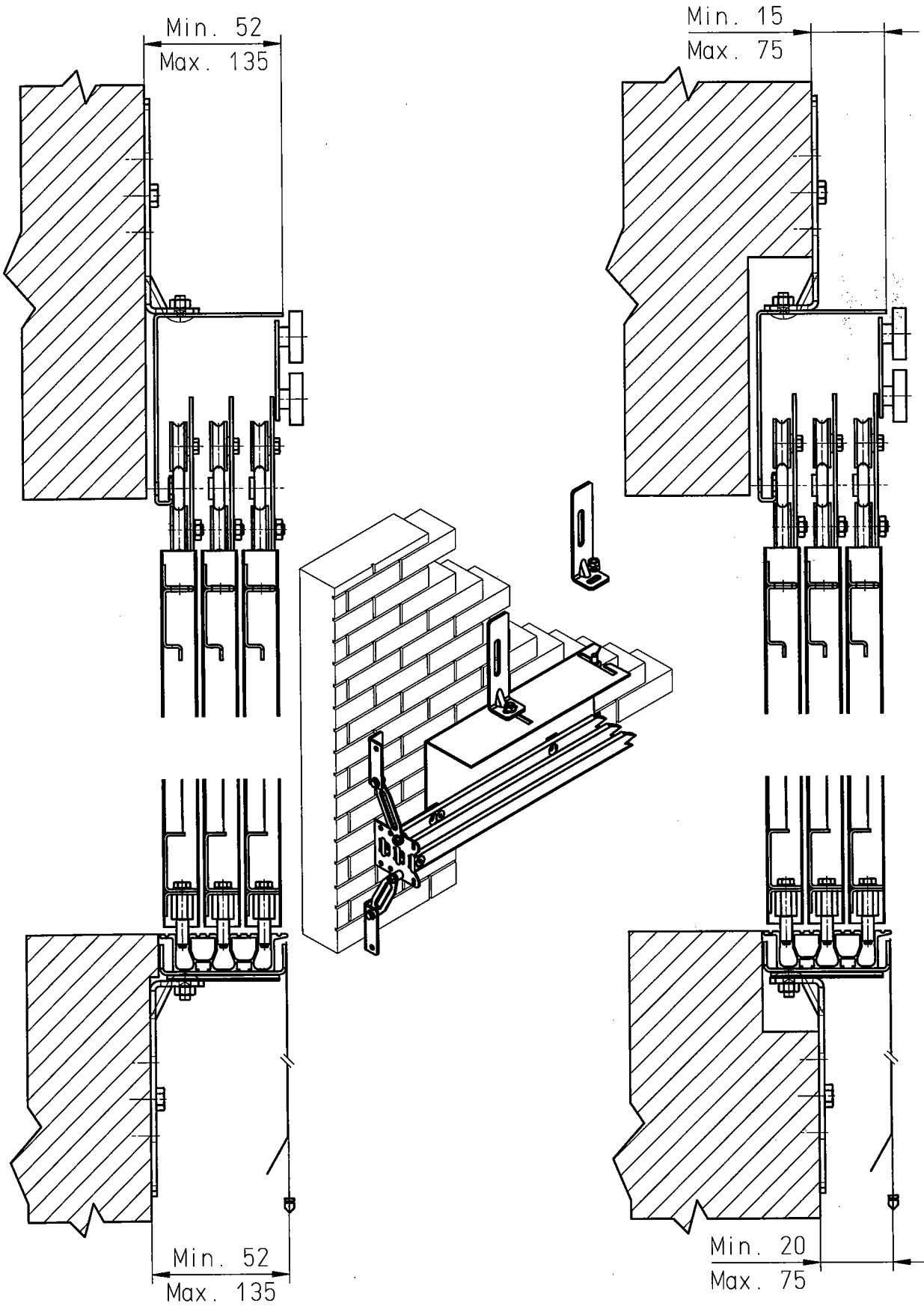
03\_00\_01REV00



L2S/...



L6C

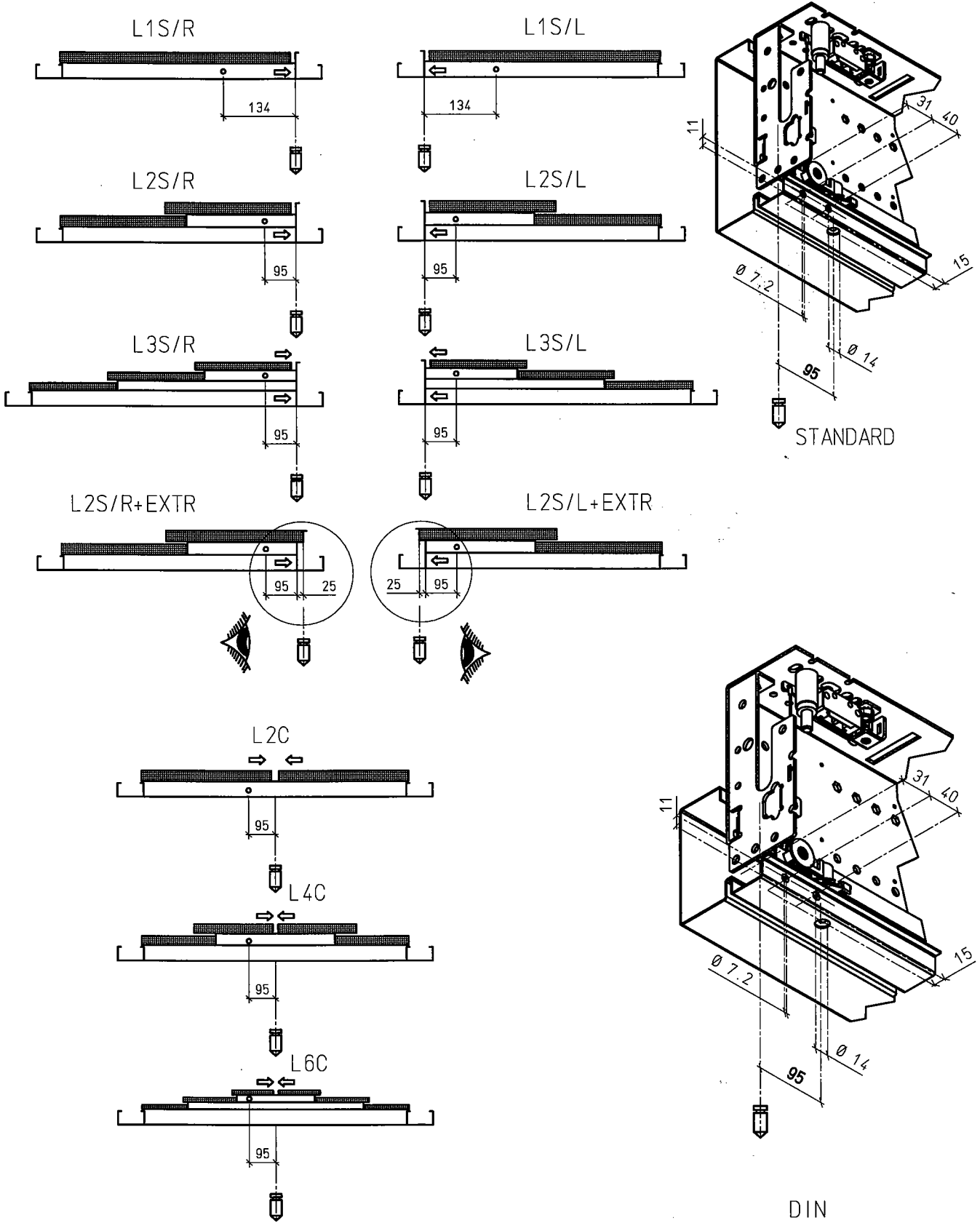


# GENERAL INFORMATION

## Serie "Q"

EMERGENCY RELEASE POSITIONED ON FRAME

01\_03\_00\_01REV00



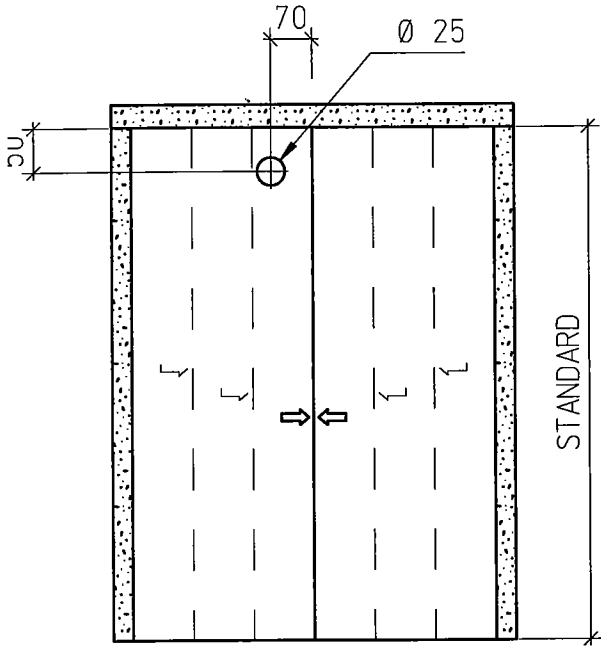
# GENERAL INFORMATION

erie "Q"

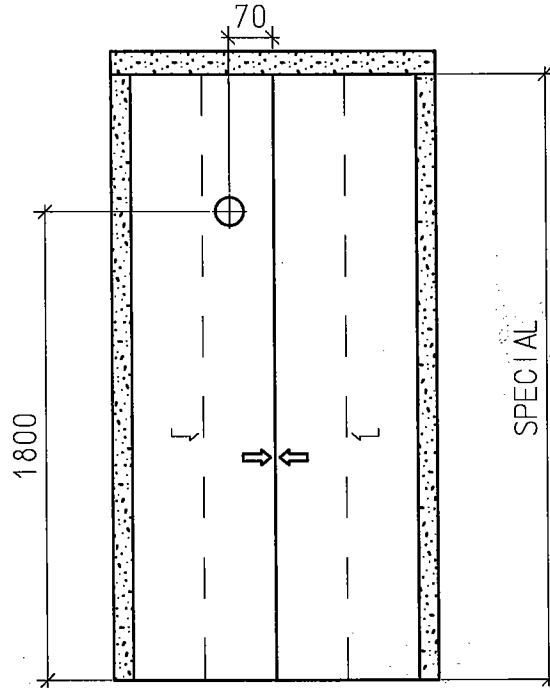
ERGENCY RELEASE POSITIONED ON PANEL

03\_00\_01REV00

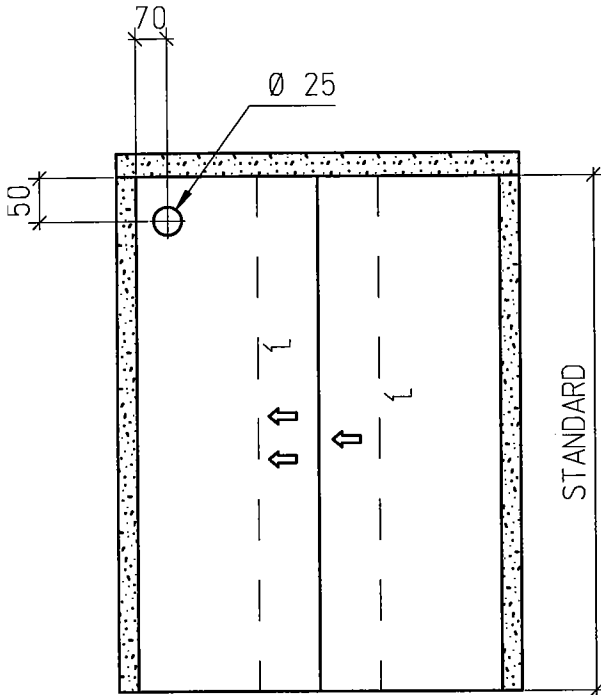
L2C-L4C-L6C



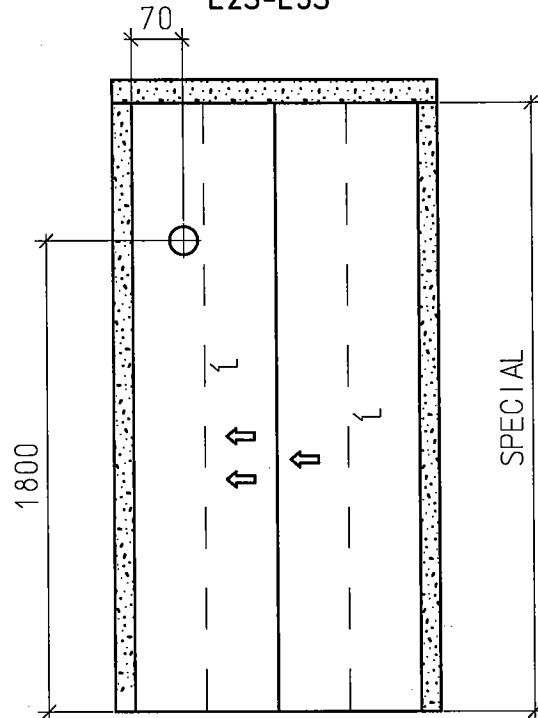
L2C-L4C



L2S-L3S



L2S-L3S



# GENERAL INFORMATION

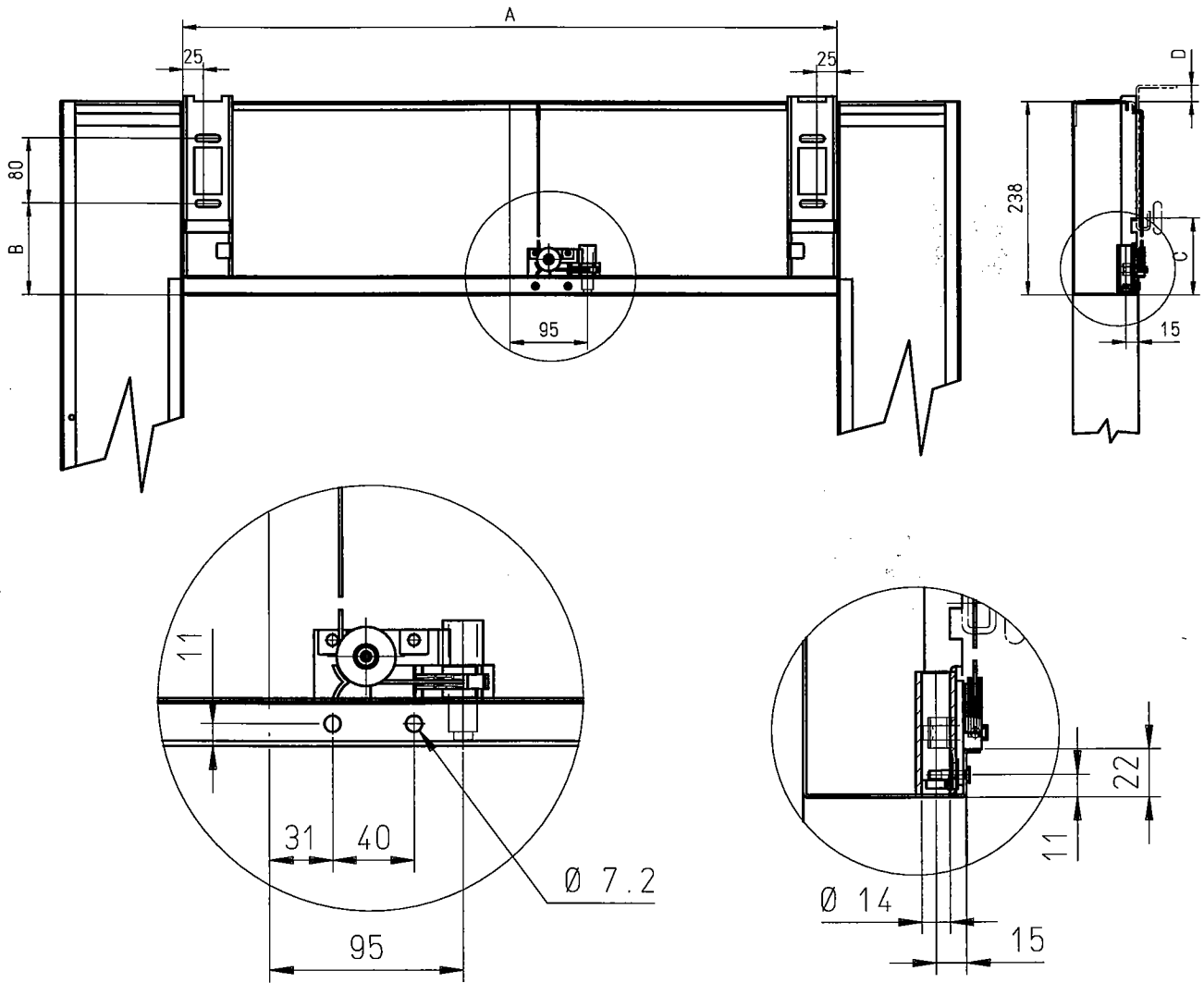
**Serie "Q"**

LANDING DOOR MECHANISM FIXING POINTS

01\_03\_00\_01REV00



L2C



	A	B	C	D
STANDARD	>=600	113	75	0
SMALL	500\550	133	95	20

# GENERAL INFORMATION

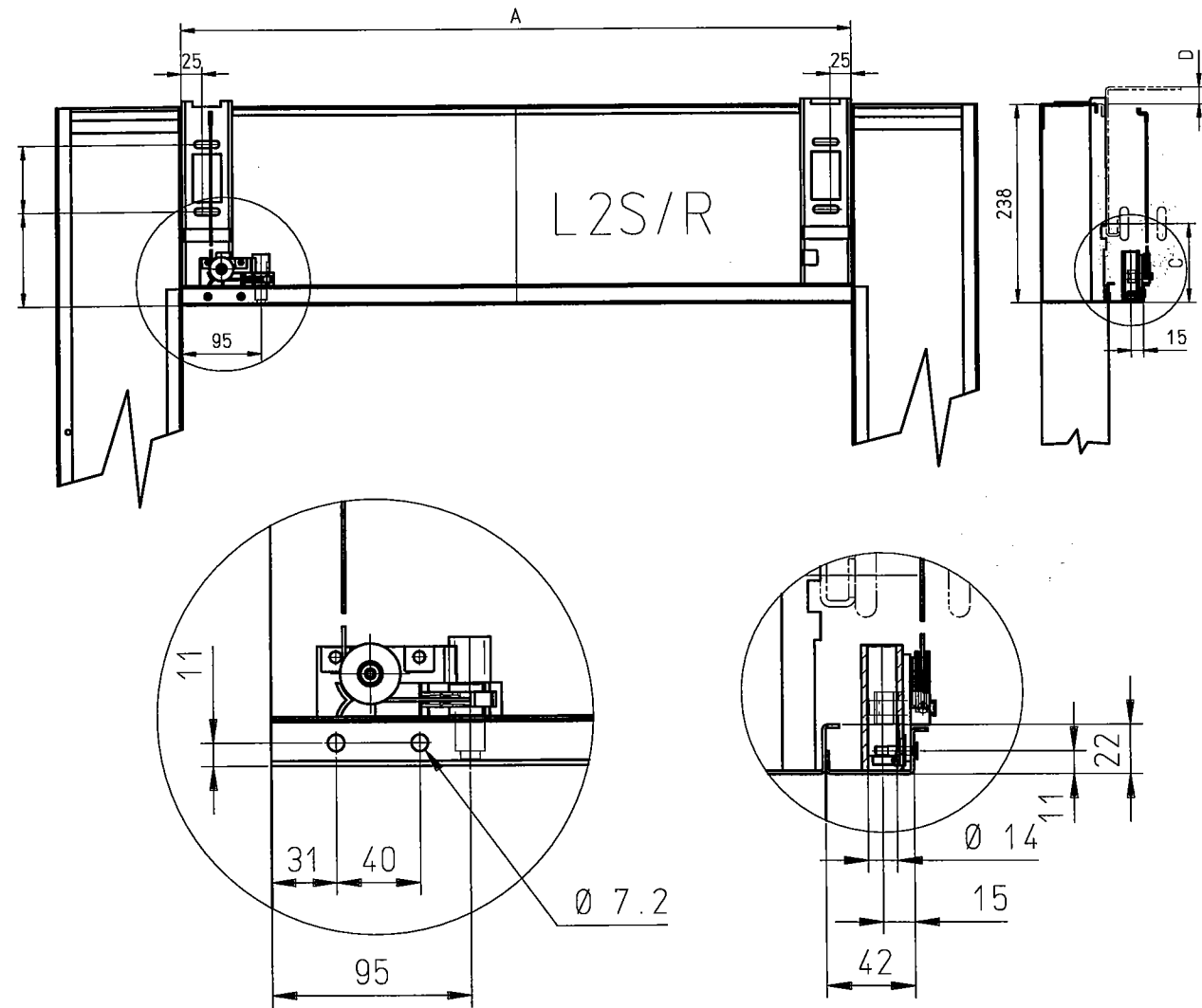
erie "Q"

NDING DOOR MECHANISM FIXING POINTS

03\_00\_01REV00



L2S/...



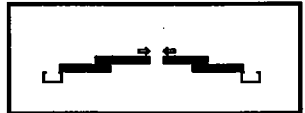
	A	B	C	D
STANDARD	>=600	113	75	0
SMALL	500\550	133	95	20

# GENERAL INFORMATION

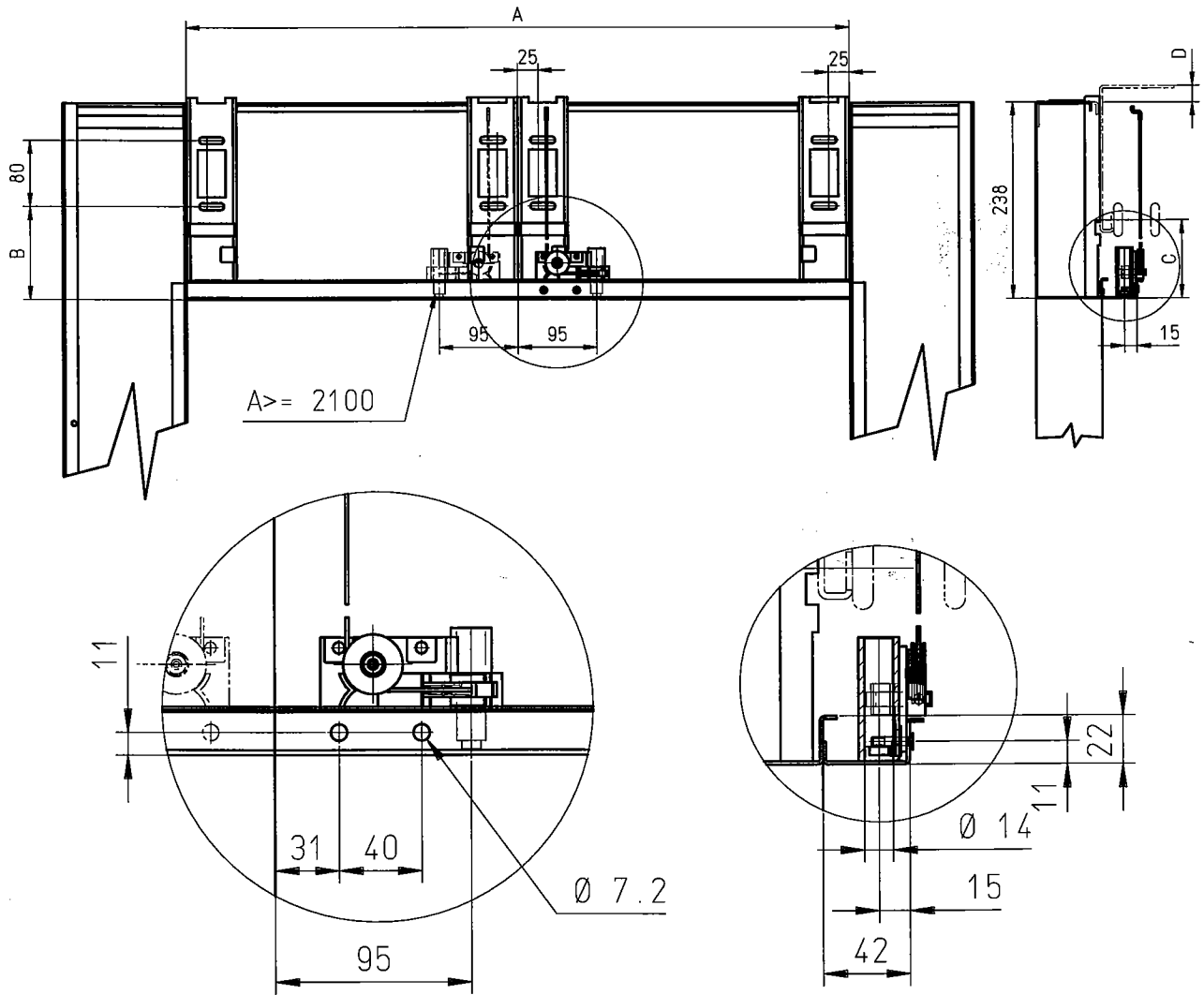
**Serie "Q"**

LANDING DOOR MECHANISM FIXING POINTS

01\_03\_00\_01REV00



L4C



	A	B	C	D
STANDARD	>1150	113	75	0
SMALL	<=1150	133	95	20

# GENERAL INFORMATION

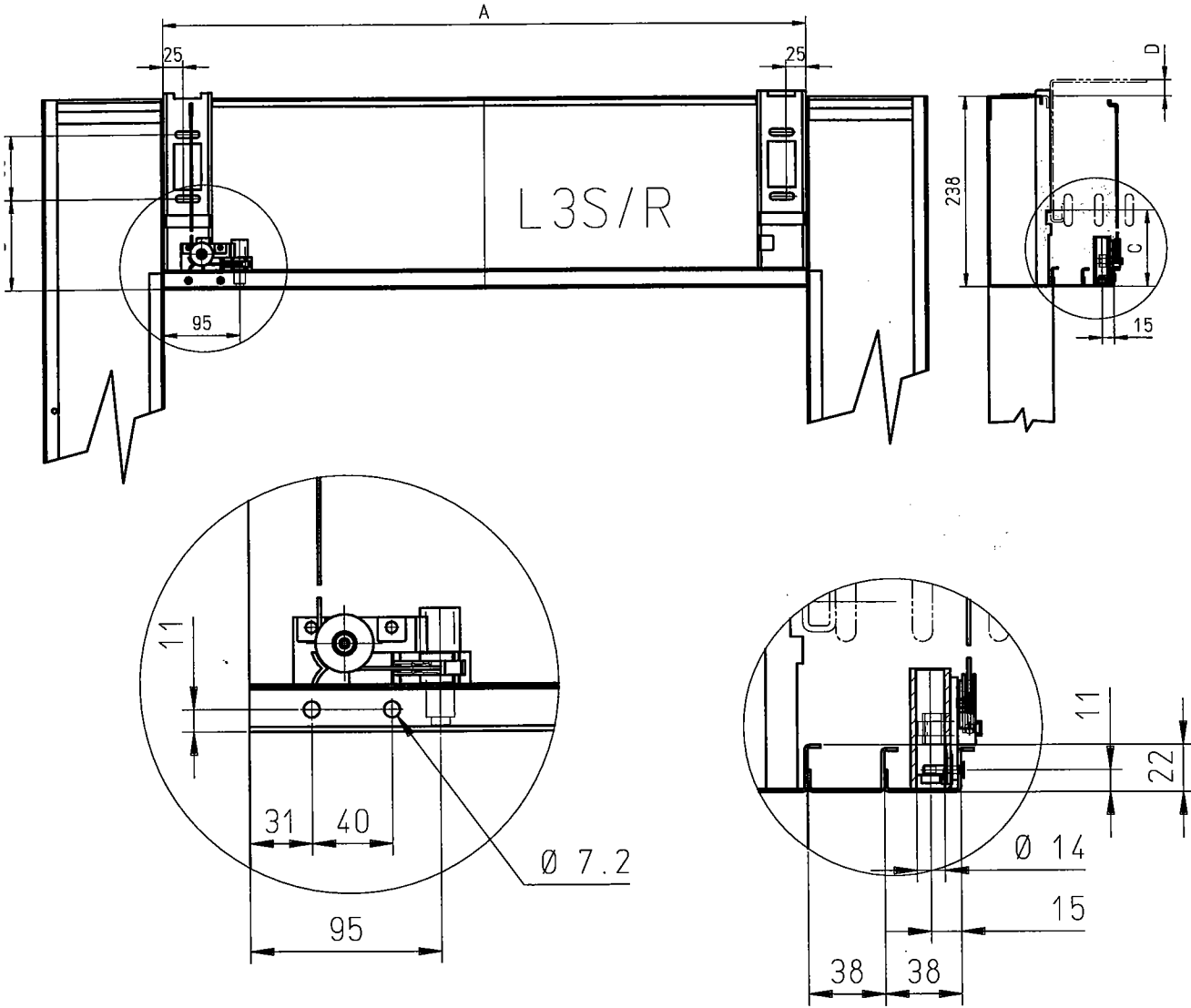
erie "Q"

FIXING DOOR MECHANISM FIXING POINTS

03\_00\_01REV00



L3S/...



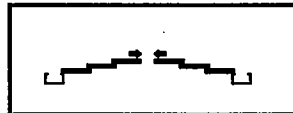
	A	B	C	D
STANDARD	>850	113	75	0
SMALL	<=850	133	95	20

# GENERAL INFORMATION

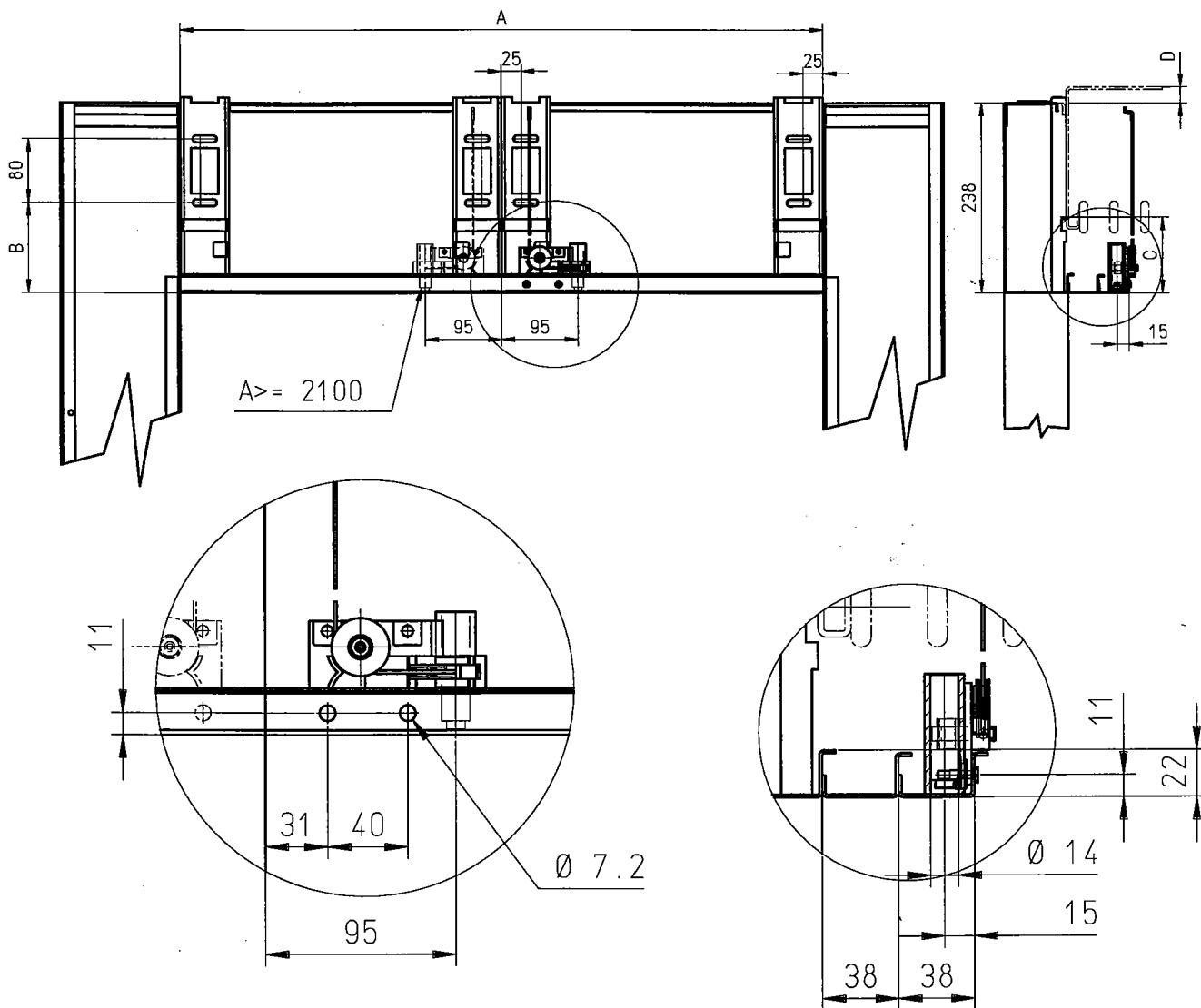
**Serie "Q"**

LANDING DOOR MECHANISM FIXING POINTS

01\_03\_00\_01REV00



L6C



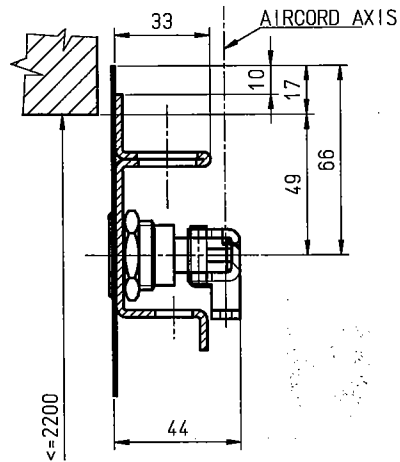
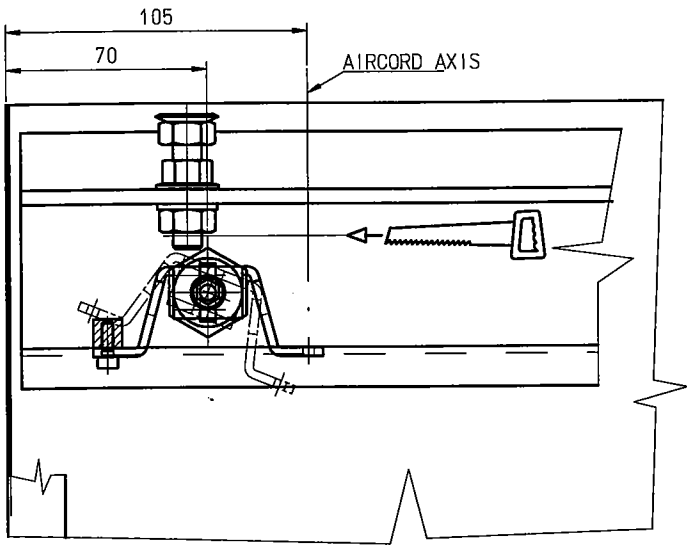
	A	B	C	D
STANDARD	>1750	113	75	0
SMALL	<=1750	133	95	20

# GENERAL INFORMATION

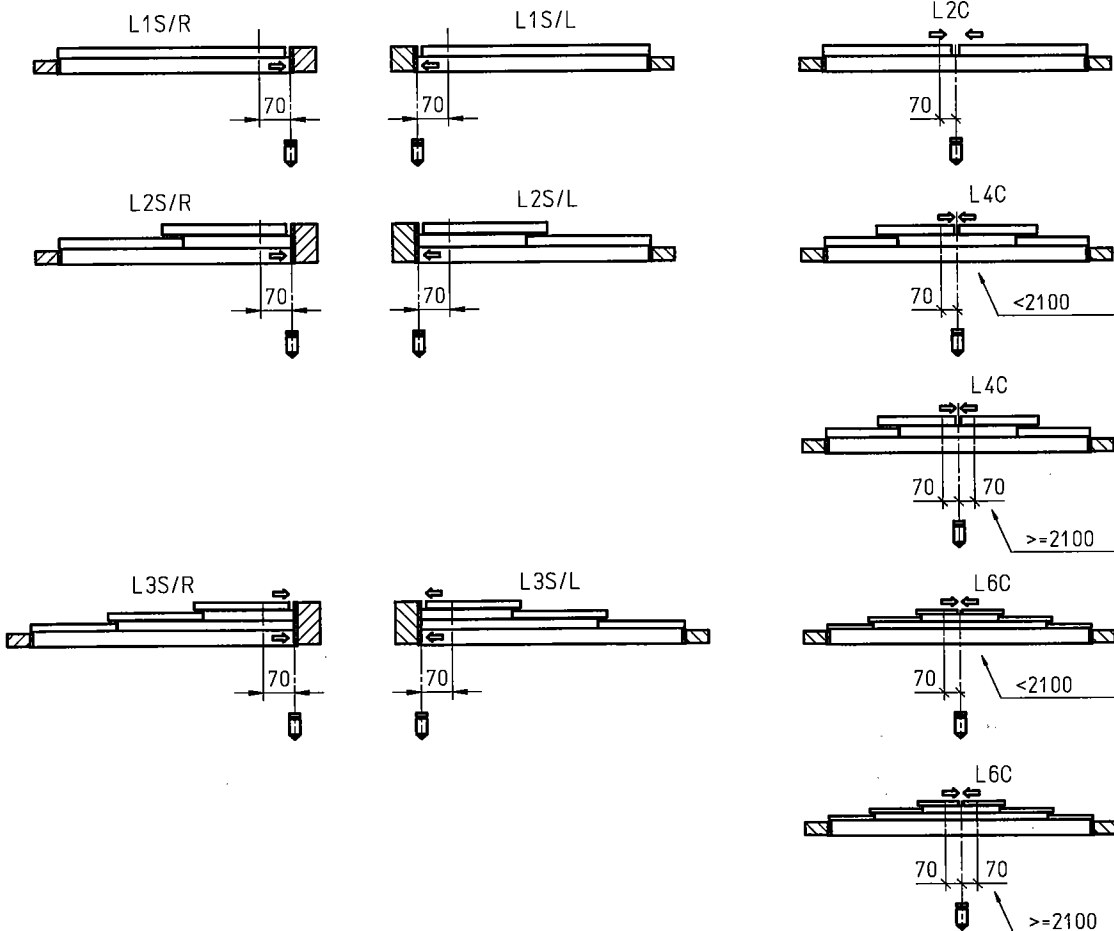
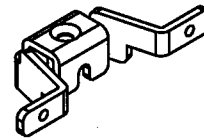
erie "Q"

SEMBLY OF EMERGENCY KEY ON PANEL FOR DOOR H ≤ 2200

03\_00\_01REV00



PAY ATTENTION: IN SOME CASES IT IS NECESSARY TO REDUCE THE LENGTH OF THE PANEL HANGING BOLTS IN ORDER TO REDUCE THEIR INTERFERENCE WITH THE EMERGENCY RELEASE



# GENERAL INFORMATION

## Serie "Q"

ASSEMBLY OF EMERGENCY KEY ON PANEL FOR DOOR H ≤ 2200

01\_03\_00\_01REV00

